

Panel mounting socket outlet straight - flange 75x75 fixing centers 60x60

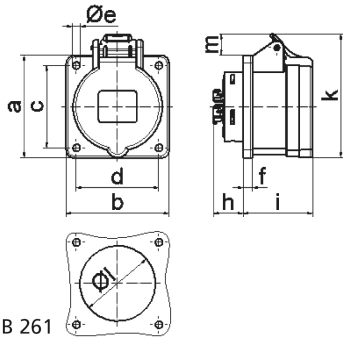


| Product description | |
|---------------------------|--|
| BALS-Prd.-Nr | 130157 |
| EAN | 4024941190268 |
| Product category | Panel mounting socket outlet QUICK-CONNECT twin terminal, straight |
| Current | 16A |
| Number of poles | 5p |
| Arrangement of phases | 3p+N+PE |
| Position of earth contact | 6 h |
| Voltage | 200/346 - 240/415V~ |

| Product description | |
|--------------------------------|--|
| Frequency | 50/60Hz |
| Protection degree | IP44 |
| Colour code | red RAL 3000 |
| Colour of appliance | Hinged lid red RAL 3000, Enclosure grey RAL 7035 |
| Connection design | screwless spring terminals with KONTEX-contact |
| Maximum conductor size | 4,0 qmm |
| Cable entry | other |
| Height | 86mm |
| Width | 75mm |
| Depth | 75mm |
| Flange size vertical in mm | 75mm |
| Flange size horizontal in mm | 75mm |
| Drill hole dist. vertical mm | 60mm |
| Drill hole dist. horizontal mm | 60mm |
| Material of enclosure | Polyamide |
| Contacts | the contact carrier is made of polyamide, the contacts are brass |

| Additional technical properties | |
|--|-----------------------------|
| | Suitable for through wiring |

| Logistics data | |
|----------------|------------------|
| Weight/pcs | 0.145 kg / Piece |
| Packaging | Bag |
| Content amount | 1 ST |
| EAN | 4024941190268 |
| Length | 75 mm |
| Width | 75 mm |
| Height | 86 mm |
| Weight | 0.146 kg |
| Volume | 483.75 ccm |
| Packaging | Carton |
| Content amount | 10 ST |
| EAN | 4024941970488 |
| Length | 245 mm |
| Width | 177 mm |
| Height | 185 mm |
| Weight | 1.583 kg |
| Volume | 7,140 ccm |



4 MB 261

| | | | | | | |
|----------------------------|------|--|--|--|--|--|
| Ampere | 16 | | | | | |
| Polzahl | 5 | | | | | |
| a | 75,0 | | | | | |
| b | 75,0 | | | | | |
| c | 60,0 | | | | | |
| d | 60,0 | | | | | |
| e ø | 5,5 | | | | | |
| f | 7,0 | | | | | |
| h | 23 | | | | | |
| i | 53,0 | | | | | |
| k | 85,0 | | | | | |
| l ø | 55,0 | | | | | |
| m | 11,5 | | | | | |
| Leiter mm ² min | 1,5 | | | | | |
| Leiter mm ² max | 4 | | | | | |