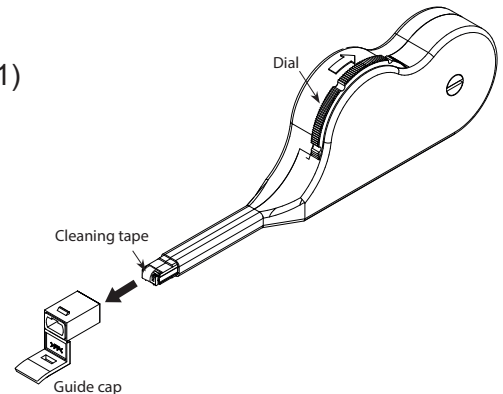


### 1. Cleaning

Use cleaning tool MTP® Cleaning Tool (p/n 2104466-01) to prepare MTP modules for testing.

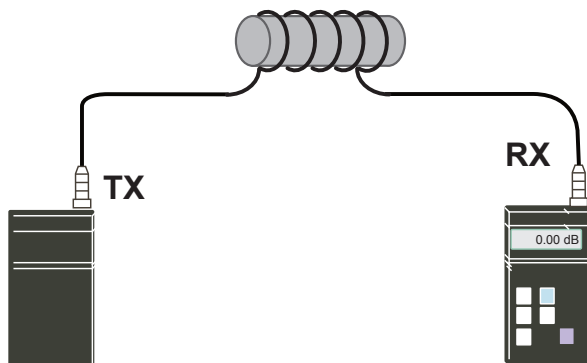
For detailed cleaning instructions please refer to cleaning tool SRP.



### 2. Reference measurement

Multimode measurement: use non-bend optimised multimode fibre test patch cords. One mandrel diameter (22mm) required for both 850nm and 1300nm (please refer to below ordering information)

#### Multimode



#### Singlemode

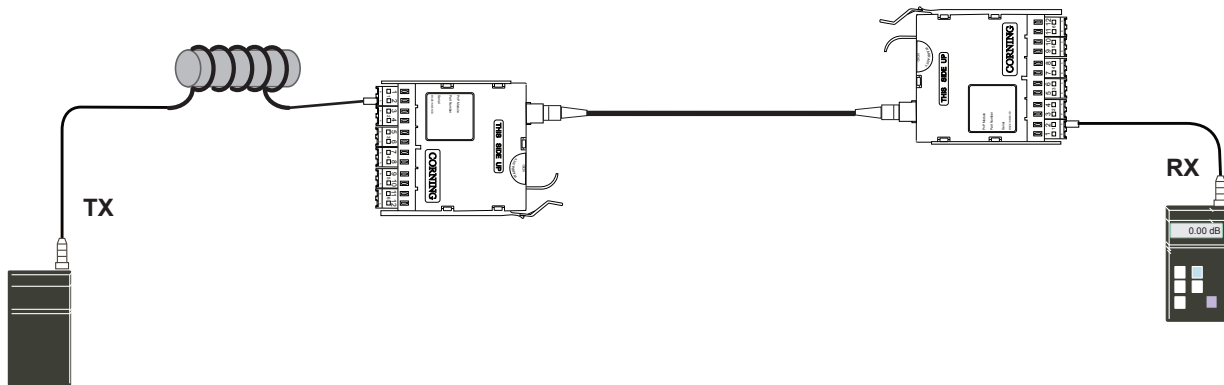


LED Light Source and Power Meter with Mandrel on non-bend optimized Test Patch Cord During Reference Step

Reference Jumper Part Number (Legacy 50 µm)	Description	Insertion Loss Per Connector (dB), max
393901S21RF002M	SC/SC, 2.0 mm single-fiber riser (blue jacket), 2 m	0.1
033901S21RF002M	LC/SC, 2.0 mm single-fiber riser (blue jacket), 2 m	0.1
030301S21RF002M	LC/LC, 2.0 mm single-fiber riser (blue jacket), 2 m	0.1
395001S21RF002M	SC/ST® Compatible, 2.0 mm single-fiber riser (blue jacket), 2 m	0.1 (SC), 0.25 (ST Compatible)
173901S21RF002M	FC/SC, 2.0 mm single-fiber riser (blue jacket), 2 m	0.1 (SC), 0.25 (FC)
035001S21RF002M	LC/ST Compatible, 2.0 mm single-fiber riser (blue jacket), 2 m	0.1 (LC), 0.25 (ST Compatible)
031701S21RF002M	LC/FC, 2.0 mm single-fiber riser (blue jacket), 2 m	0.1 (LC), 0.25 (FC)
175001S21RF002M	FC/ST Compatible, 2.0 mm single-fiber riser (blue jacket), 2 m	0.25
505001S21RF002M	ST/ST Compatible, 2.0 mm single-fiber riser (blue jacket), 2 m	0.25
171701S21RF002M	FC/FC, 2.0 mm single-fiber riser (blue jacket), 2 m	0.25

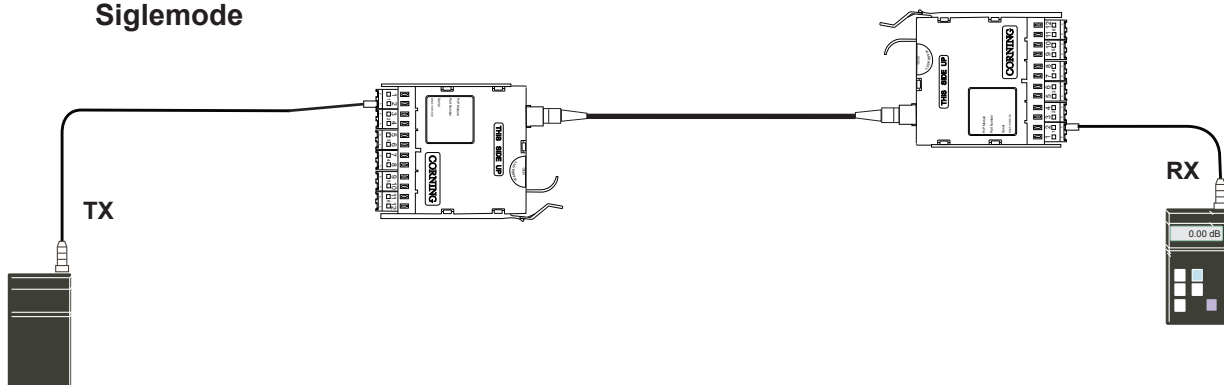
### 3. Calculate target budget and test

#### Multimode



LED Light Source and Power Meter with Mandrel on non-bend optimized Test Patch Cord During Link Test

#### Siglemode



#### Disposal Note

Disposal of the products and their packaging must be carried out in strict compliance with the local laws currently in force.

#### Disclaimer

Corning Optical Communications Polska Sp. z o.o. accepts no liability for any damage arising from improper use of the product. The extend of any liability in specific instances shall be limited to the General Terms and Conditions of Sale from Corning Optical Communications Polska Sp. z o.o. This product is state of the art.

#### Corning Optical Communications Polska Sp. z o.o.

© Corning Optical Communications Polska Sp. z o.o.,  
Smolice 1E, 95-0 10 Strykow, Poland  
☎ + 48-42-230-11-00 Fax: + 48-42-230-11-01  
Internet : [www.corning.com/opcomm/emea](http://www.corning.com/opcomm/emea)

Printed in the EU on oxygen-bleached paper.  
Subject to availability. Right of modification reserved.  
Order No.: 004-806

01.12.2014