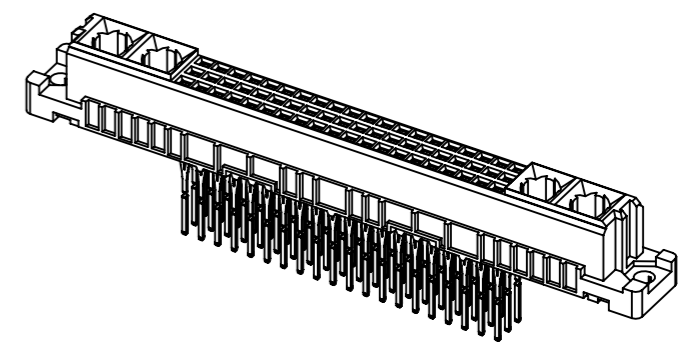
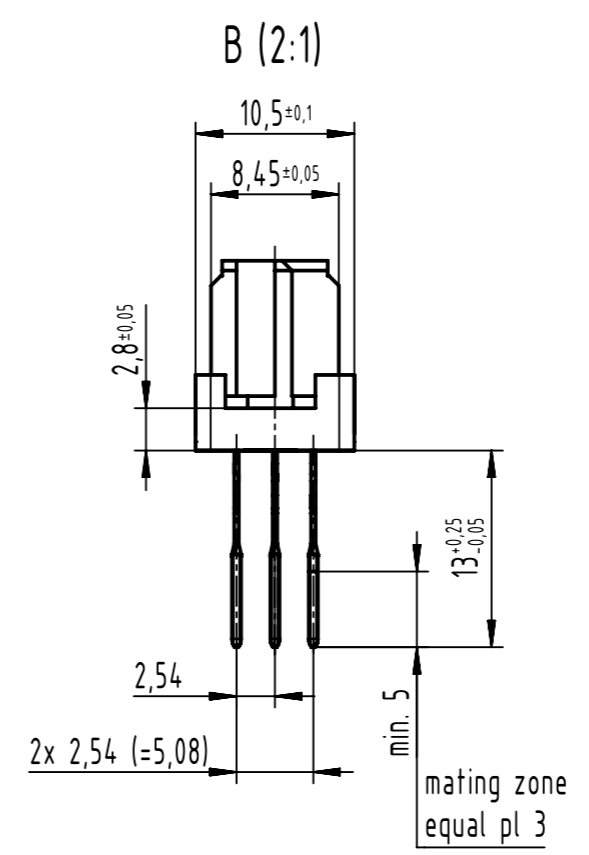
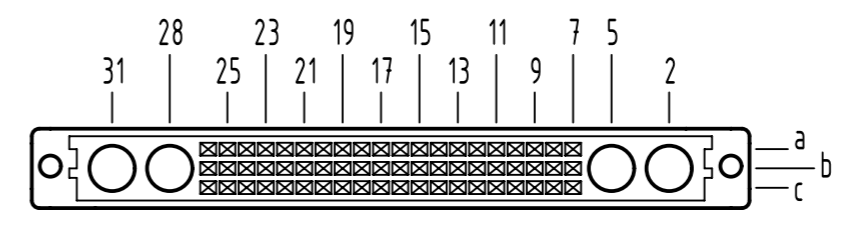


A
contact arrangement



$\begin{matrix} 1 \\ \oplus \end{matrix}$ recommended configuration of plated through holes and further information see product data sheet

09 03 260 6840	2
09 03 260 2840	1
part no.	performance level

	All Dimensions in mm Original Size DIN A3	Scale 1:1	Free size tol. IEC 60603-2	Ref.
	All rights reserved Department EL PD	Created by BUSSMANNT	Inspected by STORCK	Sub.
HARTING D-32339 Espelkamp	Title DIN Signal type M60+4 flat female press-in 13.0 60-pole			Doc-Key / ECM-Nr. 100072218/UGD/096/E 500000252308
	Type TB	Number 0903260X840	Date 2023-09-13	State Final Release
				Rev. E Page 1/1