

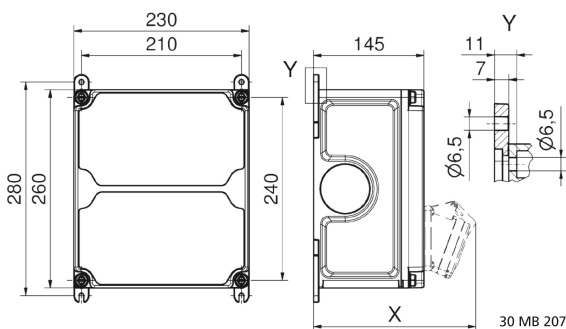
## Surface-mounting distributor - plastic - VARIABOX - M



| Product description |  |
|---------------------|--|
| BALS-Prd.-Nr        | 89040  |
| EAN                 | 4024941205733  |
| Product category    | VARIABOX - M   |
| Specification/Norm  | DIN EN 61439-3   |
| Protection degree   | IP44   |
| Colour of appliance | Housing bottom similar black RAL 9017, Housing top grey RAL 7035 |
| Height              | 260mm  |
| Width               | 230mm  |
| Depth               | 145mm  |

| Product description |      |
|---------------------|------|
| RDF factor          | 0.71 |
| Nominal current InA | 32   |

| Logistics data |                  |
|----------------|------------------|
| Weight/pcs     | 4.032 kg / Piece |
| Packaging      | Carton           |
| Content amount | 1 ST             |
| EAN            | 4024941205733    |
| Length         | 300 mm           |
| Width          | 270 mm           |
| Height         | 255 mm           |
| Weight         | 4.268 kg         |
| Volume         | 20,655 ccm       |


**Tiefenmaß/ depth X (mm)**

| Bezeichnung/ with                  | IP44 | IP67 |
|------------------------------------|------|------|
| OTC-Klappe/ OTC operating window   | 180  | 180  |
| Schutzk. Steckdose/domestic socket | 162  | 205  |
| CEE 16A 3p                         | 200  | 200  |
| CEE 16A 4p                         | 204  | 202  |
| CEE 16A 5p                         | 207  | 205  |
| CEE 32A 3p/4p                      | 211  | 213  |
| CEE 32A 5p                         | 213  | 214  |
| CEE 63A 3p/4p/5p                   | 229  | 231  |