

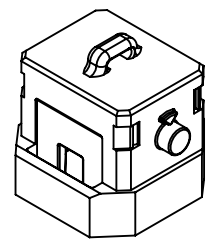
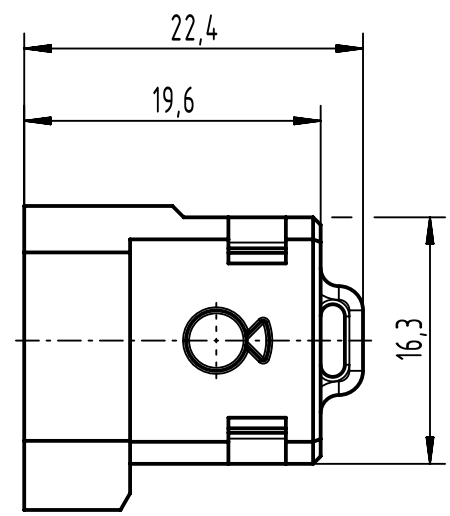
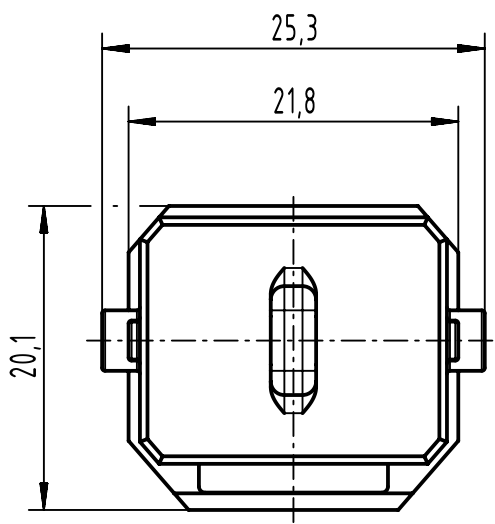
1 2 3 4 5 6


A

B

C

D



	All Dimensions in mm Original Size DIN A4		Scale 2:1	Free size tol.		Ref.		
	All rights reserved Department EL PD		Created by BALSAN	Inspected by 402625	Standardisation	Date 2021-12-20	State Final Release	
HARTING D-32339 Espelkamp			Title Han 1A-CP-Lever/Latch-female insert-V1				Doc-Key / ECM-Nr. 100885619/UGD/001/D 500000203414	
			Type TB	Number 09 10 000 5501			Rev. D	Page 1/1