

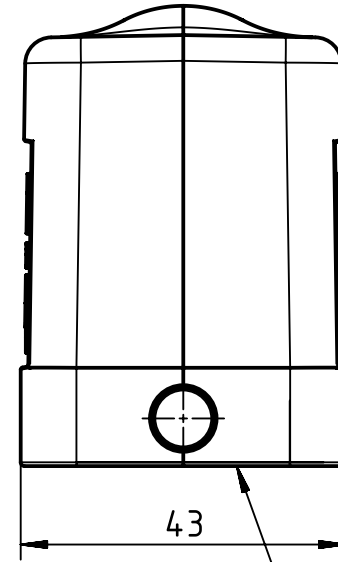
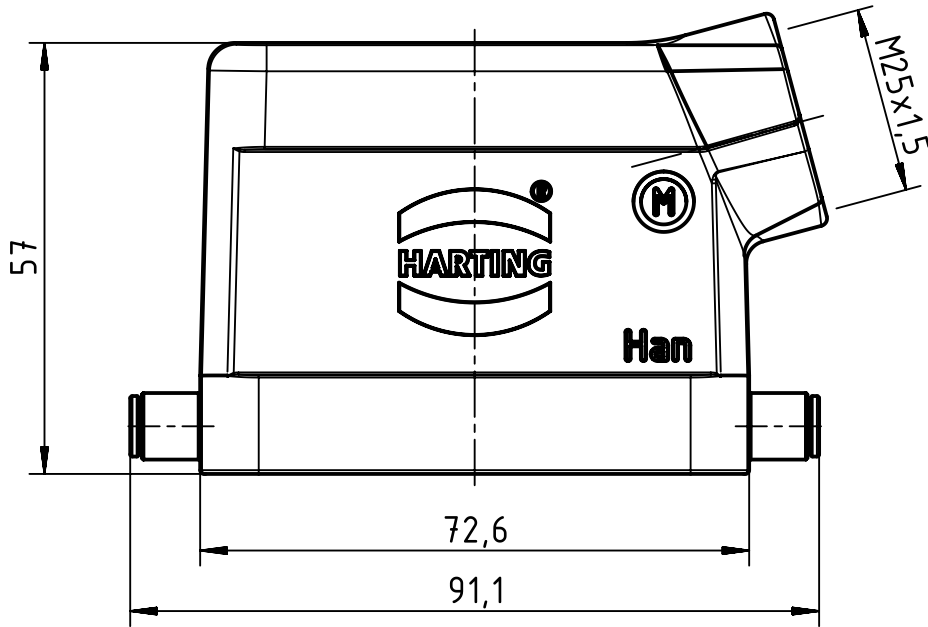
1 2 3 4 5 6

A

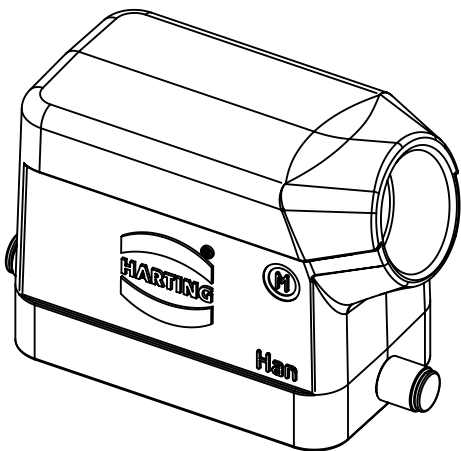
B

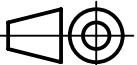

C

D



free of lacquer



 All Dimensions in mm Original Size DIN A4	Scale	Free size tol.			Ref.
	1:1				Sub.
 All rights reserved Department EL PD - DE	Created by	Inspected by	Standardisation	Date	State
	SPRENB	BERGHORN	TIEMANNA	2015-10-15	Final Release
HARTING Electric GmbH & Co. KG D-32339 Espelkamp	Title				Doc-Key / ECM-Nr. 100215063/UGD/003/C 500000095422
	Han EMC/B 10 Hood Side Entry M25, grey				
Type		Number		Rev.	Page
TB		19 62 810 1501		C	1/1