

# Wall mounting socket outlet switched interlocked fused - chemically resistant - housing dimensions 365x134 with C-type MCB and RCCB

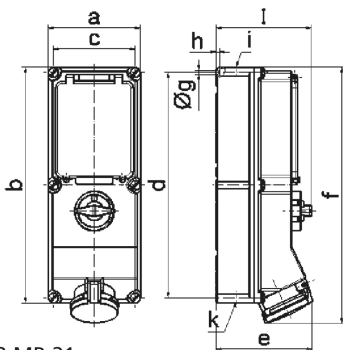


Product description	
BALS-Prd.-Nr	17638
EAN	4024941176385
Product category	TE wall mounting socket outlet switched, interlocked, fused
Current	32A
Number of poles	5p
Arrangement of phases	3p+N+PE
Position of earth contact	6 h

Product description	
Voltage	200/346 - 240/415V~
Frequency	50/60Hz
Protection degree	IP44
Colour code	red RAL 3000
Colour of appliance	Housing top lightbeige, Hinged lid red RAL 3000, Housing bottom lightbeige, Operating window lightbeige, Control knob lightbeige, Housing screws lightbeige
Connection design	screwless spring terminals with KONTEX-contact
Maximum conductor size	10,0 qmm
Cable entry	top entry M40/M32 bottom entry M40/32
Height	391mm
Width	134mm
Depth	153mm
Dimension of enclosure	365x134 mm (HxW)
Material of enclosure	Polycarbonate+Polyester light - beige
Contacts	the contact carrier is made of high temperature resistant material, the contacts are brass nickel plated

Additional technical properties	
	cable entry two at top and two at bottom (open)
	In 0-position lockable for 3 padlocks with bow diameter up to 7 mm
	With 4 pole 40/0.03A RCCB, With 3 pole C-type MCB

Logistics data	
Weight/pcs	0.0 kg / Piece
Packaging	Carton
Content amount	1 ST
EAN	4024941176385
Length	387 mm
Width	222 mm
Height	150 mm
Weight	0.193 kg
Volume	11,029.5 ccm



12 MB 21

Ampere	16	16	32	32	63	63
Polzahl	4	5	4	5	4	5
a	134,0	134,0	134,0	134,0	180,0	180,0
b	365,0	365,0	365,0	365,0	460,0	460,0
c	117,0	117,0	117,0	117,0	160,0	160,0
d	348,0	348,0	348,0	348,0	440,0	440,0
e	135,0	141,0	146,0	152,0	184,0	184,0
f	382,0	382,0	391,0	391,0	500,0	500,0
g Ø	6,5	6,5	6,5	6,5	8,3	8,3
h	8,0	8,0	8,0	8,0	6,5	6,5
i	M25/32	M25/32	M32/40	M32/40	M40	M40
k	M25/32	M25/32	M32/40	M32/40	M32/40	M32/40
l	156,0	156,0	156,0	156,0	189,0	189,0