

## Wall mounting socket outlet switched interlocked - chemically resistant - housing dimensions 225x118



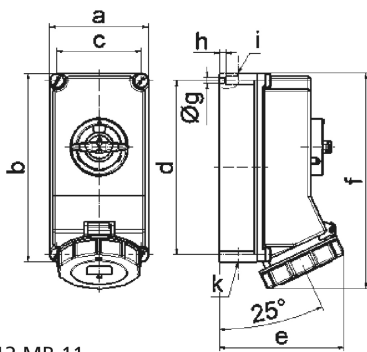
Product description	
BALS-Prd.-Nr	160184
EAN	4024941070652
Product category	TE wall mounting socket outlet, switched, interlocked
Current	32A
Number of poles	5p
Arrangement of phases	3p+N+PE
Position of earth contact	6 h
Voltage	200/346 - 240/415V~

Product description	
Frequency	50/60Hz
Protection degree	IP67
Colour code	red RAL 3000
Colour of appliance	Bayonet ring lightbeige, Housing top lightbeige, Hinged lid red RAL 3000, Housing bottom lightbeige, Control knob lightbeige, Housing screws lightbeige
Connection design	screwless spring terminals with KONTEX-contact
Maximum conductor size	10,0 qmm
Cable entry	top entry M25/M25 bottom entry M25
Height	260mm
Width	118mm
Depth	150mm
Dimension of enclosure	225x118 mm (HxW)
Material of enclosure	Polycarbonate+Polyester light - beige
Contacts	the contact carrier is made of polyamide, the contacts are brass nickel plated

Additional technical properties	
	The cable entry is one at top open, one at top is closed, and two at bottom are closed
	In 0-position lockable for 3 padlocks with bow diameter up to 7 mm

Logistics data	
Weight/pcs	1.34 kg / Piece

Logistics data	
Packaging	Carton
Content amount	1 ST
EAN	4024941070652
Length	275 mm
Width	175 mm
Height	137 mm
Weight	1.465 kg
Volume	5,737.5 ccm



Ampere Polzahl	16 4	16 5	32 3	32 4	32 5
a	118,0	118,0	118,0	118,0	118,0
b	225,0	225,0	225,0	225,0	225,0
c	101,0	101,0	101,0	101,0	101,0
d	208,0	208,0	208,0	208,0	208,0
e	127,0	134,0	143,0	143,0	149,0
f	245,0	245,0	255,0	255,0	255,0
g ø	6,5	6,5	6,5	6,5	6,5
h	8,0	8,0	8,0	8,0	8,0
i	2 x M25	2 x M25	2 x M25	2 x M25	2 x M25
k	2 x M25	2 x M25	2 x M25	2 x M25	2 x M25