

# Wall mounting socket outlet switched interlocked fused - chemically resistant - housing dimensions 365x134 with C-type circuit breaker

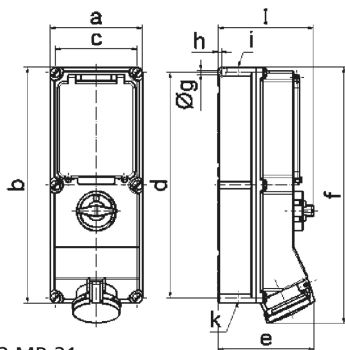


| Product description       |                                                             |
|---------------------------|-------------------------------------------------------------|
| BALS-Prd.-Nr              | 17629                                                       |
| EAN                       | 4024941176293                                               |
| Product category          | TE wall mounting socket outlet switched, interlocked, fused |
| Current                   | 16A                                                         |
| Number of poles           | 5p                                                          |
| Arrangement of phases     | 3p+N+PE                                                     |
| Position of earth contact | 6 h                                                         |

| Product description    |                                                                                                                                                             |
|------------------------|-------------------------------------------------------------------------------------------------------------------------------------------------------------|
| Voltage                | 200/346 - 240/415V~                                                                                                                                         |
| Frequency              | 50/60Hz                                                                                                                                                     |
| Protection degree      | IP44                                                                                                                                                        |
| Colour code            | red RAL 3000                                                                                                                                                |
| Colour of appliance    | Housing top lightbeige, Hinged lid red RAL 3000, Housing bottom lightbeige, Operating window lightbeige, Control knob lightbeige, Housing screws lightbeige |
| Connection design      | screwless spring terminals with KONTEX-contact                                                                                                              |
| Maximum conductor size | 4,0 qmm                                                                                                                                                     |
| Cable entry            | top entry M32/M25 bottom entry M32/M25                                                                                                                      |
| Height                 | 384mm                                                                                                                                                       |
| Width                  | 134mm                                                                                                                                                       |
| Depth                  | 153mm                                                                                                                                                       |
| Dimension of enclosure | 365x134 mm (HxW)                                                                                                                                            |
| Material of enclosure  | Polycarbonate+Polyester light - beige                                                                                                                       |
| Contacts               | the contact carrier is made of high temperature resistant material, the contacts are brass nickel plated                                                    |

| Additional technical properties |                                                                    |
|---------------------------------|--------------------------------------------------------------------|
|                                 | cable entry two at top and two at bottom (open)                    |
|                                 | In 0-position lockable for 3 padlocks with bow diameter up to 7 mm |
|                                 | With 3 pole C-type MCB                                             |

| Logistics data |                  |
|----------------|------------------|
| Weight/pcs     | 2.072 kg / Piece |
| Packaging      | Carton           |
| Content amount | 1 ST             |
| EAN            | 4024941176293    |
| Length         | 387 mm           |
| Width          | 222 mm           |
| Height         | 150 mm           |
| Weight         | 2.265 kg         |
| Volume         | 11,029.5 ccm     |



| Ampere  | 16     | 16     | 32     | 32     | 63     | 63     |
|---------|--------|--------|--------|--------|--------|--------|
| Polzahl | 4      | 5      | 4      | 5      | 4      | 5      |
| a       | 134,0  | 134,0  | 134,0  | 134,0  | 180,0  | 180,0  |
| b       | 365,0  | 365,0  | 365,0  | 365,0  | 460,0  | 460,0  |
| c       | 117,0  | 117,0  | 117,0  | 117,0  | 160,0  | 160,0  |
| d       | 348,0  | 348,0  | 348,0  | 348,0  | 440,0  | 440,0  |
| e       | 135,0  | 141,0  | 146,0  | 152,0  | 184,0  | 184,0  |
| f       | 382,0  | 382,0  | 391,0  | 391,0  | 500,0  | 500,0  |
| g ø     | 6,5    | 6,5    | 6,5    | 6,5    | 8,3    | 8,3    |
| h       | 8,0    | 8,0    | 8,0    | 8,0    | 6,5    | 6,5    |
| i       | M25/32 | M25/32 | M32/40 | M32/40 | M40    | M40    |
| k       | M25/32 | M25/32 | M32/40 | M32/40 | M32/40 | M32/40 |
| l       | 156,0  | 156,0  | 156,0  | 156,0  | 189,0  | 189,0  |