

## Wall mounting socket outlet - housing dimensions 170x90

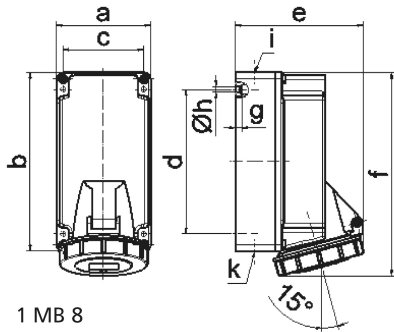


Product description	
BALS-Prd.-Nr	11566
EAN	4024941115667
Product category	TE wall mounting socket outlet QUICK-CONNECT
Current	16A
Number of poles	5p
Arrangement of phases	3p+N+PE
Position of earth contact	4 h
Voltage	57/100 - 75/130V~
Frequency	50/60Hz

Product description	
Protection degree	IP67
Colour code	yellow RAL 1012
Colour of appliance	Hinged lid yellow RAL 1012, Bayonet ring grey RAL 7035, Housing bottom grey RAL 7035, Housing top grey RAL 7035
Connection design	screwless spring terminals with KONTEX-contact
Maximum conductor size	4,0 qmm
Cable entry	top entry M20 bottom entry M25/20
Height	195mm
Width	90mm
Depth	123mm
Dimension of enclosure	170x90 mm (HxW)
Material of enclosure	Polycarbonate
Contacts	the contact carrier is made of high temperature resistant material, the contacts are brass nickel plated

Logistics data	
Weight/pcs	0.42 kg / Piece
Packaging	Bag
Content amount	1 ST
EAN	4024941115667
Length	123 mm
Width	90 mm

Logistics data	
Height	195 mm
Weight	0.421 kg
Volume	2,158.65 ccm



1 MB 8

Ampere	16	16	16			
Polzahl	3	4	5			
a	90,0	90,0	90,0			
b	170,0	170,0	170,0			
c	77,0	77,0	77,0			
d	137,5	137,5	137,5			
e	108,0	115,0	122,0			
f	191,5	191,5	195,0			
g	6,5	6,5	6,5			
h ø	5,5	5,5	5,5			
i	M20	M20	M20			
k	M20/25	M20/25	M20/25			
Leiter mm <sup>2</sup> min	1,5	1,5	1,5			
Leiter mm <sup>2</sup> max	4	4	4			