

Panel mounting appliance inlet straight - TN - flange 120x120 fixing centers 100x100

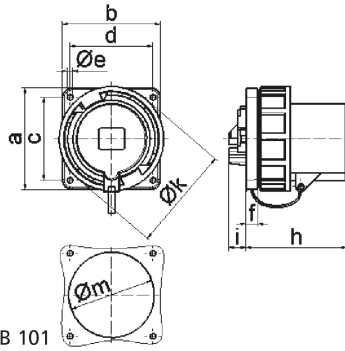


Product description	
BALS-Prd.-Nr	28045
EAN	4024941280457
Product category	TN panel mounting appliance inlet, straight
Current	125A
Number of poles	5p
Arrangement of phases	3p+N+PE
Position of earth contact	6 h
Voltage	200/346 - 240/415V~

Product description	
Frequency	50/60Hz
VG-type-no.:	VG 96919 AP 013
Supply no.:	5935-12-381-9980
Protection degree	IP67
Colour code	bronze-green RAL 6031-F9
Colour of appliance	Bayonet ring bronze-green RAL 6031-F9, Collar bronze-green RAL 6031-F9, Closure cap bronze-green RAL 6031-F9, Enclosure bronze-green RAL 6031-F9, Flange bronze-green RAL 6031-F9
Connection design	screw terminal as box terminal
Maximum conductor size	50.0 qmm
Cable entry	other
Height	126mm
Width	125mm
Depth	151mm
Flange size vertical in mm	120mm
Flange size horizontal in mm	120mm
Drill hole dist. vertical mm	100mm
Drill hole dist. horizontal mm	100mm
Material of enclosure	Polyamide
Contacts	the contact carrier is made of high temperature resistant material, the contacts are brass nickel plated

Additional technical properties	
	With closure cap

Logistics data	
Weight/pcs	0.0 kg / Piece
Packaging	Bag
Content amount	1 ST
EAN	4024941280457
Length	151 mm
Width	125 mm
Height	126 mm
Weight	0.001 kg
Volume	2,378.25 ccm
Packaging	Carton
Content amount	5 ST
EAN	4024941839662
Length	330 mm
Width	216 mm
Height	260 mm
Weight	0.226 kg
Volume	17,062.5 ccm



5 MB 101

Ampere	63	63	63	125	125	125
Polzahl	3	4	5	3	4	5
a	110,0	110,0	110,0	120,0	120,0	120,0
b	106,0	106,0	106,0	120,0	120,0	120,0
c	90,0	90,0	90,0	100,0	100,0	100,0
d	90,0	90,0	90,0	100,0	100,0	100,0
e ø	5,5	5,5	5,5	6,5	6,5	6,5
f	13,0	13,0	13,0	13,0	13,0	13,0
h	114,0	114,0	114,0	121,0	121,0	121,0
i	19,0	19,0	19,0	20,0	20,0	20,0
k ø	113,5	113,5	113,5	126,0	126,0	126,0
m ø	93,0	93,0	93,0	104,0	104,0	104,0
Leiter mm ² min	6,0	6,0	6,0	16,0	16,0	16,0
Leiter mm ² max	16,0	16,0	16,0	50,0	50,0	50,0