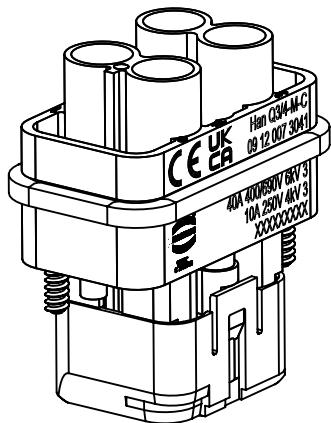


self-tapping screw acc.
ISO 7049-ST 2,9x9,5-F-H
enclosed separately



| | | | | | | |
|------------------------------|--|--|-----------------------|-----------------------------|-----------------------------|--|
| | All Dimensions in mm Original Size DIN A4 | | Scale 1:1 | Free size tol. | | Ref. |
| | | | | | | Sub. |
| | All rights reserved | | Created by 100887 | Inspected by SUNDERMEIER | Standardisation SAP_WFRT | Date 2022-10-28 |
| | Department EL PD | | Title Han Q3/4-M-C | | | State Approved |
| HARTING D-32339 Espelkamp | | | Type TB | Number 09 12 007 3041 | | Doc-Key / ECM-Nr. 100809939/UGD/001/F 500000225850 |
| | | | | | Rev. F | Page 1/1 |