

Plug TN - with cable gland with closure cap



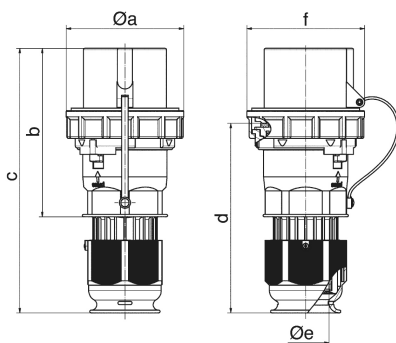
Product description	
BALS-Prd.-Nr	21428
EAN	4024941214285
Product category	TN plug
Current	63A
Number of poles	5p
Arrangement of phases	3p+N+PE
Position of earth contact	9 h
Voltage	120/208 - 144/250V~
Frequency	50/60Hz

Product description	
VG-type-no.:	VG 96919 CP 010
Protection degree	IP67
Colour code	blue RAL 5015
Colour of appliance	Pusher black RAL 9005, Cable gland bronze-green RAL 6031-F9, Bayonet ring bronze-green RAL 6031-F9, Housing cover bronze-green RAL 6031-F9, Collar bronze-green RAL 6031-F9
Connection design	screw terminal as box terminal
Maximum conductor size	16,0 qmm
Cable entry	with cable gland
Height	244mm
Width	113.5mm
Depth	115mm
Material of enclosure	Polyamide
Contacts	the contact carrier is made of high temperature resistant material, the contacts are brass nickel plated

Additional technical properties	
	For cable diameter from 16 up to max. 36 mm, Screwless housing connection, MULTI-GRIP cable gland with gasket, integrated cable clamp and additional water evacuation openings
	With closure cap

Logistics data	
Weight/pcs	0.815 kg / Piece

Logistics data	
Packaging	Bag
Content amount	1 ST
EAN	4024941214285
Length	115 mm
Width	113.5 mm
Height	244 mm
Weight	0.816 kg
Volume	1,190.135 ccm
Packaging	Carton
Content amount	5 ST
EAN	4024941839099
Length	325 mm
Width	217 mm
Height	210 mm
Weight	4.281 kg
Volume	13,588.4 ccm



2 MB 107

Ampere	63	63	63	125	125	125
Polzahl	3	4	5	3	4	5
a ø	113,5	113,5	113,5	126,0	126,0	126,0
b	169,0	169,0	169,0	185,0	185,0	185,0
c	250,0	250,0	250,0	286,0	286,0	286,0
d	177,0	177,0	177,0	206,0	206,0	206,0
e ø	36,0	36,0	36,0	50,0	50,0	50,0
f	112,5	112,5	112,5	125,0	125,0	125,0
Leiter mm² min	6,0	6,0	6,0	16,0	16,0	16,0
Leiter mm² max	25,0	25,0	25,0	50,0	50,0	50,0

