

Accessories plugs - connectors - Closure cap for CEE plugs



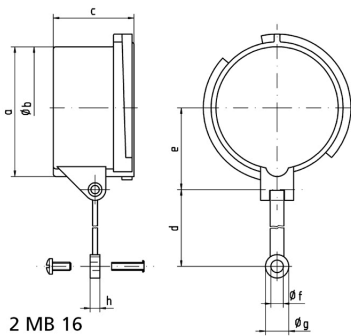
| Product description | |
|-----------------------|---------------|
| BALS-Prd.-Nr | 831 |
| EAN | 4024941008310 |
| Product category | closure cap |
| Current | 16A |
| Number of poles | 5p |
| Arrangement of phases | 3p+N+PE |
| Protection degree | IP67 |
| Colour code | grey RAL 7035 |

| Product description | |
|-----------------------|-----------|
| Height | 86mm |
| Width | 76mm |
| Depth | 41.5mm |
| Material of enclosure | Polyamide |

| Additional technical properties | |
|---------------------------------|------------|
| | With strap |

| Logistics data | |
|----------------|------------------|
| Weight/pcs | 0.048 kg / Piece |
| Packaging | Bag |
| Content amount | 1 ST |
| EAN | 4024941008310 |
| Length | 41.5 mm |
| Width | 76 mm |
| Height | 86 mm |
| Weight | 0.049 kg |
| Volume | 271.244 ccm |
| Packaging | Carton |
| Content amount | 10 ST |
| EAN | 4024941959759 |
| Length | 275 mm |

| Logistics data | |
|----------------|-------------|
| Width | 175 mm |
| Height | 137 mm |
| Weight | 0.605 kg |
| Volume | 5,737.5 ccm |



| Ampere Polzahl | 16 3 | 16 4 | 16 5 | 32 3/4 | 32 5 | 63 3/4/5 | 125 3/4/5 |
|----------------|---------|---------|---------|-----------|---------|-------------|--------------|
| a | 53,0 | 59,5 | 67,0 | 70,0 | 76,5 | 83,5 | 95,5 |
| b ø | 49,5 | 55,7 | 63,0 | 64,0 | 70,5 | 76,5 | 89,0 |
| c | 41,5 | 41,5 | 41,5 | 51,5 | 51,5 | 72,5 | 80,0 |
| d | 133,0 | 133,0 | 133,0 | 133,0 | 133,0 | 155,0 | 155,0 |
| e | 34,5 | 38,0 | 42,0 | 44,0 | 48,0 | 52,0 | 57,5 |
| f ø | 6,4 | 6,4 | 6,4 | 6,4 | 6,4 | 6,4 | 6,4 |
| g ø | 12,0 | 12,0 | 12,0 | 12,0 | 12,0 | 12,0 | 12,0 |
| h | 5,0 | 5,0 | 5,0 | 5,0 | 5,0 | 5,0 | 5,0 |
| | | | | | | | |
| | | | | | | | |
| | | | | | | | |