

## Wall mounting socket outlet - housing dimensions 260x160 with electrical interlocking PSK



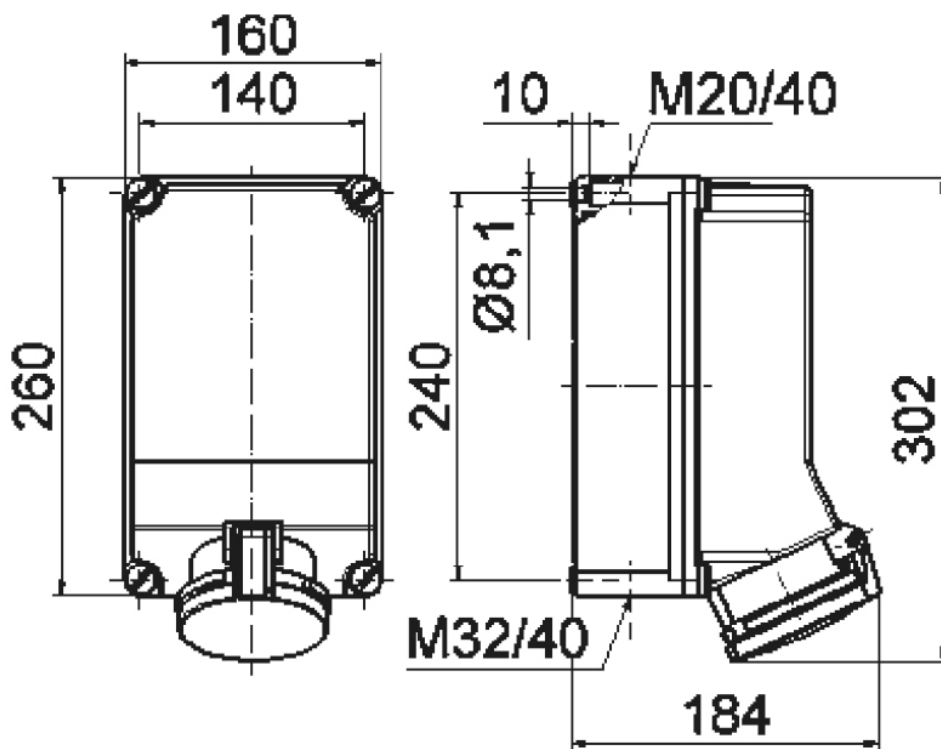
Product description	
BALS-Prd.-Nr	16871
EAN	4024941168717
Product category	TE wall mounting socket outlet, switched, interlocked
Current	63A
Number of poles	4p
Arrangement of phases	3P+PE
Position of earth contact	6 h
Voltage	380 - 415V~

Product description	
Frequency	50/60Hz
Protection degree	IP44
Colour code	red RAL 3000
Colour of appliance	Hinged lid red RAL 3000, Housing screws grey RAL 7035, Housing bottom grey RAL 7035, Housing top grey RAL 7035
Connection design	screw terminal as box terminal with Kontex-contact
Maximum conductor size	25.0 qmm
Cable entry	top entry M40 bottom entry M40/M32
Height	302mm
Width	160mm
Depth	192mm
Dimension of enclosure	260x160 mm (HxW)
Material of enclosure	Polycarbonate
Contacts	the contact carrier is made of high temperature resistant material, the contacts are brass nickel plated

Additional technical properties	
	Electrically interlocked with pilot contact, With DIL contactor, cable entry two at top and two at bottom (open)

Logistics data	
Weight/pcs	0.0 kg / Piece
Packaging	Carton

Logistics data	
Content amount	1 ST
EAN	4024941168717
Length	325 mm
Width	217 mm
Height	210 mm
Weight	0.216 kg
Volume	13,588.4 ccm



# 1 MB 38