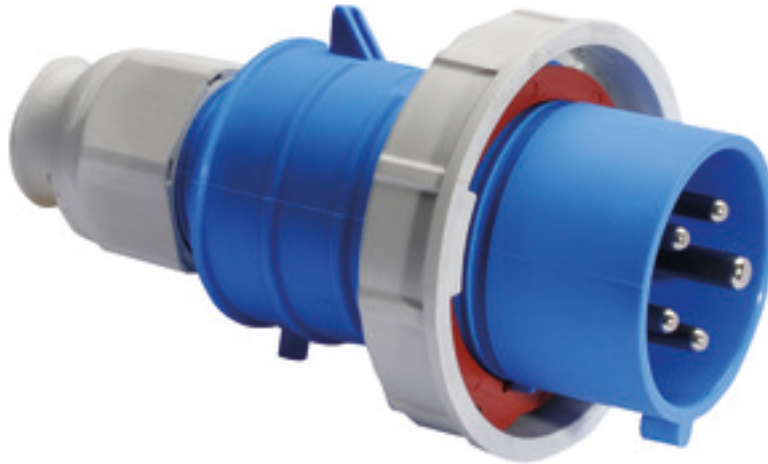


## Plug - with screwless terminals for harsh applications



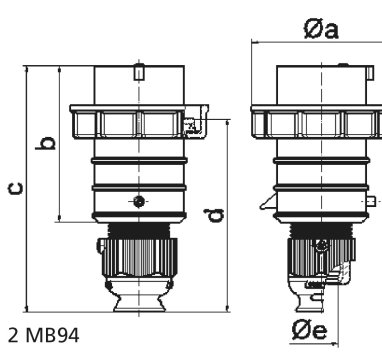
Product description	
BALS-Prd.-Nr	21414
EAN	4024941214148
Product category	QUICK-CONNECT TE plug
Current	32A
Number of poles	5p
Arrangement of phases	3p+N+PE
Position of earth contact	9 h
Voltage	120/208 - 144/250V~
Frequency	50/60Hz

Product description	
Protection degree	IP67
Colour code	blue RAL 5015
Colour of appliance	Collar blue RAL 5015, Bayonet ring grey RAL 7035, Cable gland grey RAL 7035, Housing cover blue RAL 5015
Connection design	screwless spring-clamp technology
Maximum conductor size	6,0 qmm
Cable entry	with cable gland
Height	182mm
Width	102mm
Depth	102mm
Material of enclosure	Polyamide
Contacts	the contact carrier is made of high temperature resistant material, the contacts are brass nickel plated

Additional technical properties	
	For cable diameter from 13 up to max. 27 mm, MULTI-GRIP cable gland with gasket, integrated cable clamp and additional water evacuation openings

Logistics data	
Weight/pcs	0.347 kg / Piece
Packaging	Bag
Content amount	1 ST

Logistics data	
EAN	4024941214148
Length	102 mm
Width	102 mm
Height	182 mm
Weight	0.348 kg
Volume	1,893.528 ccm
Packaging	Carton
Content amount	10 ST
EAN	4024941831925
Length	330 mm
Width	216 mm
Height	260 mm
Weight	3.696 kg
Volume	17,062.5 ccm



Ampere Polzahl	16 3	16 4	16 5	32 3	32 4	32 5
a Ø	70,0	78,0	86,0	94,0	94,0	101,0
b	95,0	95,0	97,0	118,0	118,0	117,0
c	145,0	145,0	152,0	178,0	178,0	181,0
d	111,0	111,0	119,0	136,0	136,0	138,5
e Ø	18,0	18,0	21,0	23,0	23,0	27,0
Leiter mm <sup>2</sup> min	1	1	1	2,5	2,5	2,5
Leiter mm <sup>2</sup> max	2,5	2,5	2,5	6	6	6

2 MB94