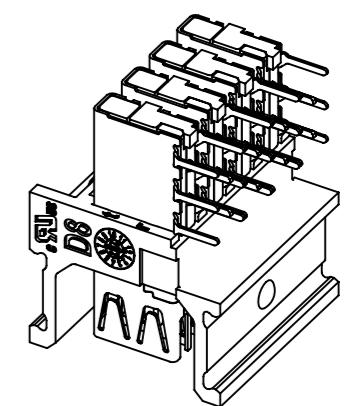
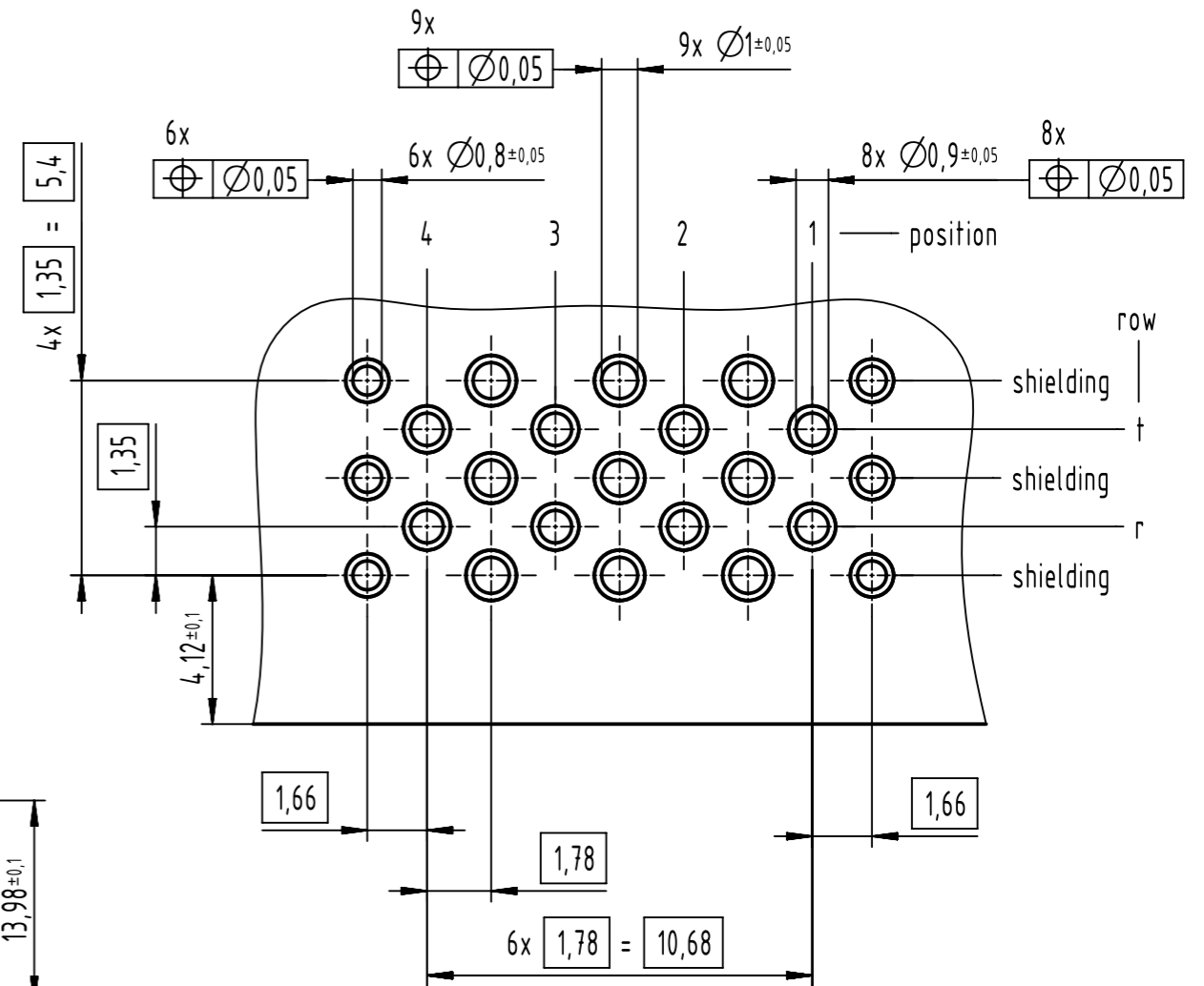
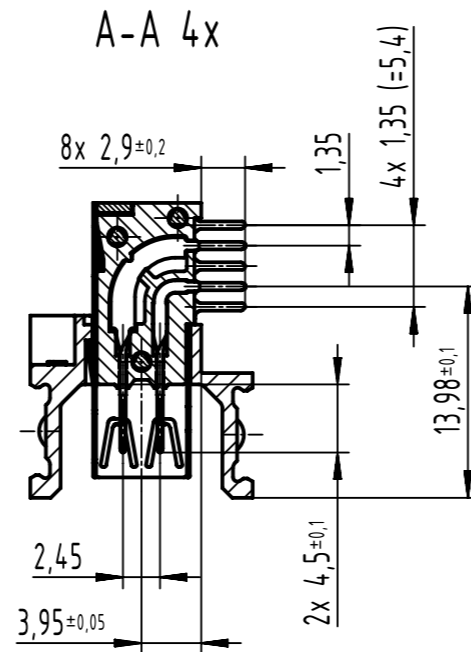
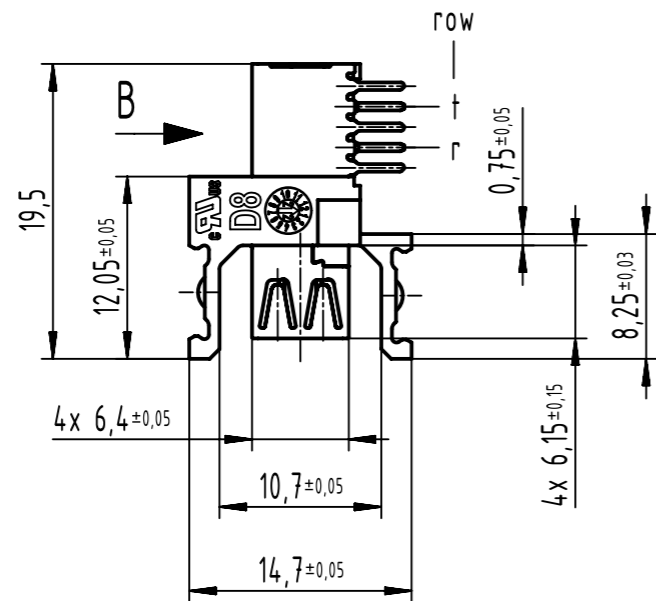
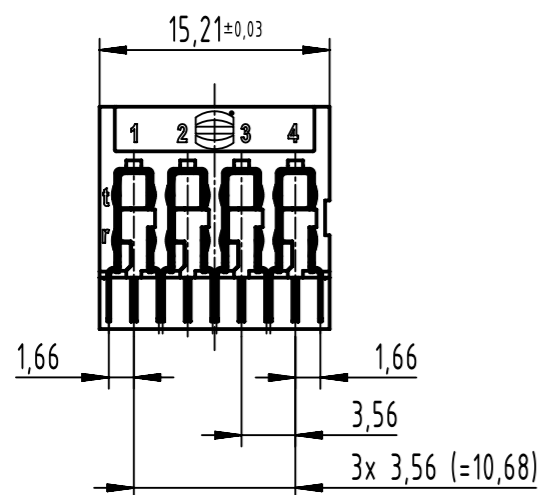
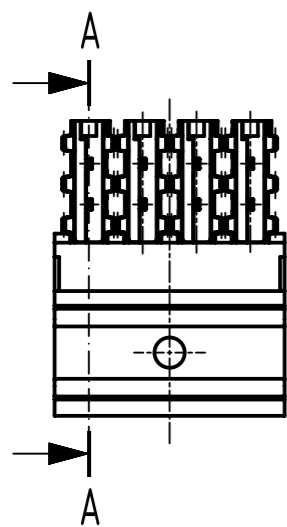
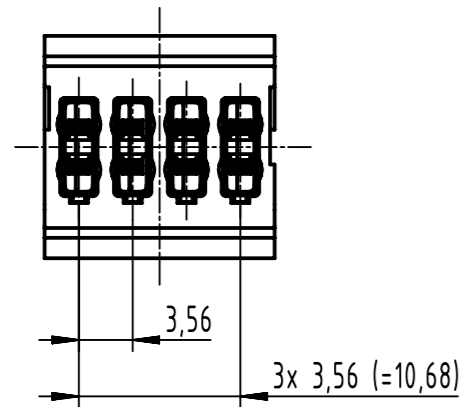


B (5:1)
board drillings



	All Dimensions in mm Original Size DIN A3		Scale 2:1	Free size tol.		Ref.	
	All rights reserved Department EL PD		Created by HASELOH	Inspected by LUECKEMEIERM	Standardisation	Date 2023-03-07	State Final Release
HARTING D-32339 Espelkamp		Title har-modular D8 data module male angled				Doc-Key / ECM-Nr. 100863018/UGD/002/D 500000239099	
		Type TB	Number 02519081501		Rev. D	Page 1/1	