

Plug TN - with cable gland with closure cap



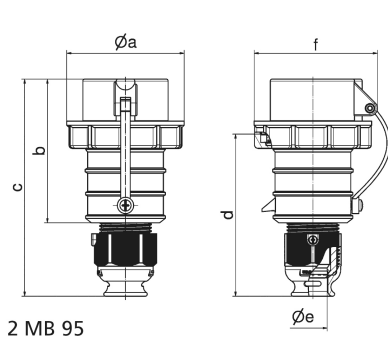
| Product description | |
|---------------------------|-----------------------|
| BALS-Prd.-Nr | 210405 |
| EAN | 4024941108232 |
| Product category | QUICK-CONNECT TN plug |
| Current | 16A |
| Number of poles | 4p |
| Arrangement of phases | 3P+PE |
| Position of earth contact | 11 h |
| Voltage | 440 - 460V~ |
| Frequency | 60Hz |

| Product description | |
|------------------------|--|
| VG-type-no.: | VG 96919 CP 021 |
| Protection degree | IP67 |
| Colour code | green RAL 6002 |
| Colour of appliance | Cable gland bronze-green RAL 6031-F9, Bayonet ring bronze-green RAL 6031-F9, Housing cover bronze-green RAL 6031-F9, Collar bronze-green RAL 6031-F9, Closure cap bronze-green RAL 6031-F9 |
| Connection design | screwless spring-clamp technology |
| Maximum conductor size | 2,5 qmm |
| Cable entry | with cable gland |
| Height | 151mm |
| Width | 78.5mm |
| Depth | 83mm |
| Material of enclosure | Polyamide |
| Contacts | the contact carrier is made of high temperature resistant material, the contacts are brass nickel plated |

| Additional technical properties | |
|---------------------------------|---|
| | For cable diameter from 8 up to max. 18 mm, MULTI-GRIP cable gland with gasket, integrated cable clamp and additional water evacuation openings |
| | With closure cap |

| Logistics data | |
|----------------|------------------|
| Weight/pcs | 0.209 kg / Piece |

| Logistics data | |
|----------------|---------------|
| Packaging | Bag |
| Content amount | 1 ST |
| EAN | 4024941108232 |
| Length | 83 mm |
| Width | 78.5 mm |
| Height | 151 mm |
| Weight | 0.21 kg |
| Volume | 983.841 ccm |
| Packaging | Carton |
| Content amount | 10 ST |
| EAN | 4024941838993 |
| Length | 258 mm |
| Width | 183 mm |
| Height | 212 mm |
| Weight | 2.242 kg |
| Volume | 8,750 ccm |



2 MB 95

| Ampere | 16 | 16 | 16 | 32 | 32 | 32 |
|----------------------------|-------|-------|-------|-------|-------|-------|
| Polzahl | 3 | 4 | 5 | 3 | 4 | 5 |
| a ø | 70,0 | 78,0 | 86,0 | 94,0 | 94,0 | 101,0 |
| b | 103,5 | 104,0 | 105,5 | 127,0 | 127,0 | 129,5 |
| c | 153,5 | 154,0 | 160,5 | 187,0 | 187,0 | 193,5 |
| d | 111,0 | 111,0 | 119,0 | 136,0 | 136,0 | 138,5 |
| e ø | 18,0 | 18,0 | 21,0 | 23,5 | 23,5 | 27,0 |
| f | 75,5 | 82,5 | 91,0 | 96,5 | 96,5 | 104,5 |
| Leiter mm ² min | 1,0 | 1,0 | 1,0 | 2,5 | 2,5 | 2,5 |
| Leiter mm ² max | 2,5 | 2,5 | 2,5 | 6,0 | 6,0 | 6,0 |
| | | | | | | |
| | | | | | | |
| | | | | | | |