

Plug - with screwless terminals for harsh applications



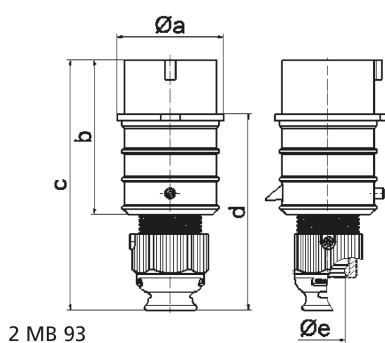
Product description	
BALS-Prd.-Nr	21907
EAN	4024941219075
Product category	QUICK-CONNECT TE plug
Current	16A
Number of poles	5p
Arrangement of phases	3p+N+PE
Position of earth contact	1 h
Voltage	> 50V for all other not classified voltages and/or frequencies. This time position can additionally process in special applications, in which a distinction to standardized positions needed to be used.

Product description	
Protection degree	IP44
Colour code	grey RAL 7035
Colour of appliance	Housing cover grey RAL 7035, Cable gland grey RAL 7035, Collar grey RAL 7035
Connection design	screwless spring-clamp technology
Maximum conductor size	2,5 qmm
Cable entry	with cable gland
Height	154mm
Width	65mm
Depth	74mm
Material of enclosure	Polyamide
Contacts	the contact carrier is made of high temperature resistant material, the contacts are brass nickel plated

Additional technical properties	
	For cable diameter from 10 up to max. 21 mm, MULTI-GRIP cable gland with gasket, integrated cable clamp and additional water evacuation openings

Logistics data	
Weight/pcs	0.18 kg / Piece
Packaging	Bag
Content amount	1 ST
EAN	4024941219075

Logistics data	
Length	74 mm
Width	65 mm
Height	154 mm
Weight	0.181 kg
Volume	740.74 ccm
Packaging	Carton
Content amount	10 ST
EAN	4024941969857
Length	245 mm
Width	177 mm
Height	185 mm
Weight	1.933 kg
Volume	7,140 ccm



Ampere	16	16	16	32	32	32
Polzahl	3	4	5	3	4	5
a ø	51,0	57,5	65,0	66,0	66,0	72,0
b	95,0	95,0	97,0	118,0	118,0	117,0
c	145,0	145,0	152,0	178,0	178,0	181,0
d	109,0	109,0	116,0	133,0	133,0	135,5
e ø	18,0	18,0	21,0	23,0	23,0	27,0
Leiter mm² min	1	1	1	2,5	2,5	2,5
Leiter mm² max	2,5	2,5	2,5	6	6	6