

Connector - with TE screw terminals for harsh applications



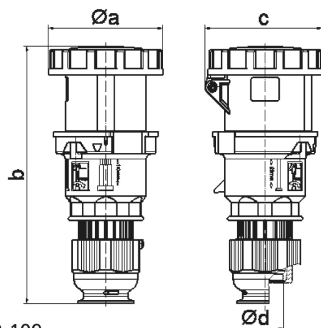
Product description	
BALS-Prd.-Nr	31724
EAN	4024941317245
Product category	TE connector
Current	63A
Number of poles	3p
Arrangement of phases	2P+PE
Position of earth contact	7 h
Voltage	480 - 500V~

Product description	
Frequency	50/60Hz
Protection degree	IP67
Colour code	black RAL 9005
Colour of appliance	Collar black RAL 9005, Hinged lid black RAL 9005, Bayonet ring grey RAL 7035, Cable gland grey RAL 7035, Housing cover black RAL 9005
Connection design	screw terminal as box terminal with Kontex-contact
Maximum conductor size	16,0 qmm
Cable entry	with cable gland
Height	251mm
Width	110mm
Depth	115mm
Material of enclosure	Polyamide
Contacts	the contact carrier is made of high temperature resistant material, the contacts are brass nickel plated

Additional technical properties	
	For cable diameter from 16 up to max. 36 mm, Screwless housing connection, MULTI-GRIP cable gland with gasket, integrated cable clamp and additional water evacuation openings

Logistics data	
Weight/pcs	0.665 kg / Piece
Packaging	Bag

Logistics data	
Content amount	1 ST
EAN	4024941317245
Length	115 mm
Width	110 mm
Height	251 mm
Weight	0.666 kg
Volume	1,190.135 ccm
Packaging	Carton
Content amount	5 ST
EAN	4024941835312
Length	325 mm
Width	217 mm
Height	210 mm
Weight	3.527 kg
Volume	13,588.4 ccm



	63	63	63				
Ampere	3	4	5				
Polzahl	3	4	5				
a ø	110,0	110,0	110,0				
b	251,0	251,0	251,0				
c	113,0	113,0	113,0				
d ø	36,0	36,0	36,0				
Leiter mm ² min	6	6	6				
Leiter mm ² max	16	16	16				