

Connector - with screwless terminals for harsh applications



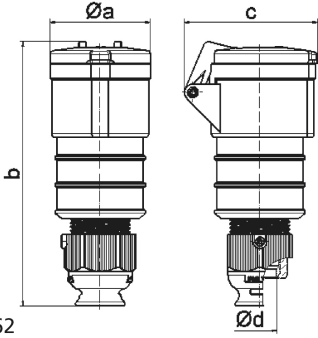
Product description	
BALS-Prd.-Nr	31983
EAN	4024941319836
Product category	QUICK-CONNECT TE connector
Current	32A
Number of poles	5p
Arrangement of phases	3p+N+PE
Position of earth contact	10 h
Voltage	> 50V~

Product description	
Frequency	100 - 300Hz
Protection degree	IP44
Colour code	green RAL 6002
Colour of appliance	Hinged lid green RAL 6002, Enclosure green RAL 6002, Cable gland grey RAL 7035
Connection design	screwless spring terminals with KONTEX-contact
Maximum conductor size	6,0 qmm
Cable entry	with cable gland
Height	199mm
Width	72mm
Depth	99mm
Material of enclosure	Polyamide
Contacts	the contact carrier is made of high temperature resistant material, the contacts are brass nickel plated

Additional technical properties	
	For cable diameter from 13 up to max. 27 mm, MULTI-GRIP cable gland with gasket, integrated cable clamp and additional water evacuation openings

Logistics data	
Weight/pcs	0.34 kg / Piece
Packaging	Bag
Content amount	1 ST

Logistics data	
EAN	4024941319836
Length	99 mm
Width	72 mm
Height	199 mm
Weight	0.341 kg
Volume	1,418.472 ccm
Packaging	Carton
Content amount	10 ST
EAN	4024941834773
Length	325 mm
Width	217 mm
Height	210 mm
Weight	3.602 kg
Volume	13,588.4 ccm



3 MB 62

Ampere	16	16	16	32	32	32
Polzahl	3	4	5	3	4	5
a ø	51,0	58,0	65,0	66,5	66,5	72,0
b	156,0	162,0	168,0	195,0	195,0	198,0
c	72,0	78,0	86,0	89,0	89,0	99,0
d ø	18,0	18,0	21,0	23,0	23,0	27,0
Leiter mm ² min	1	1	1	2,5	2,5	2,5
Leiter mm ² max	2,5	2,5	2,5	6	6	6