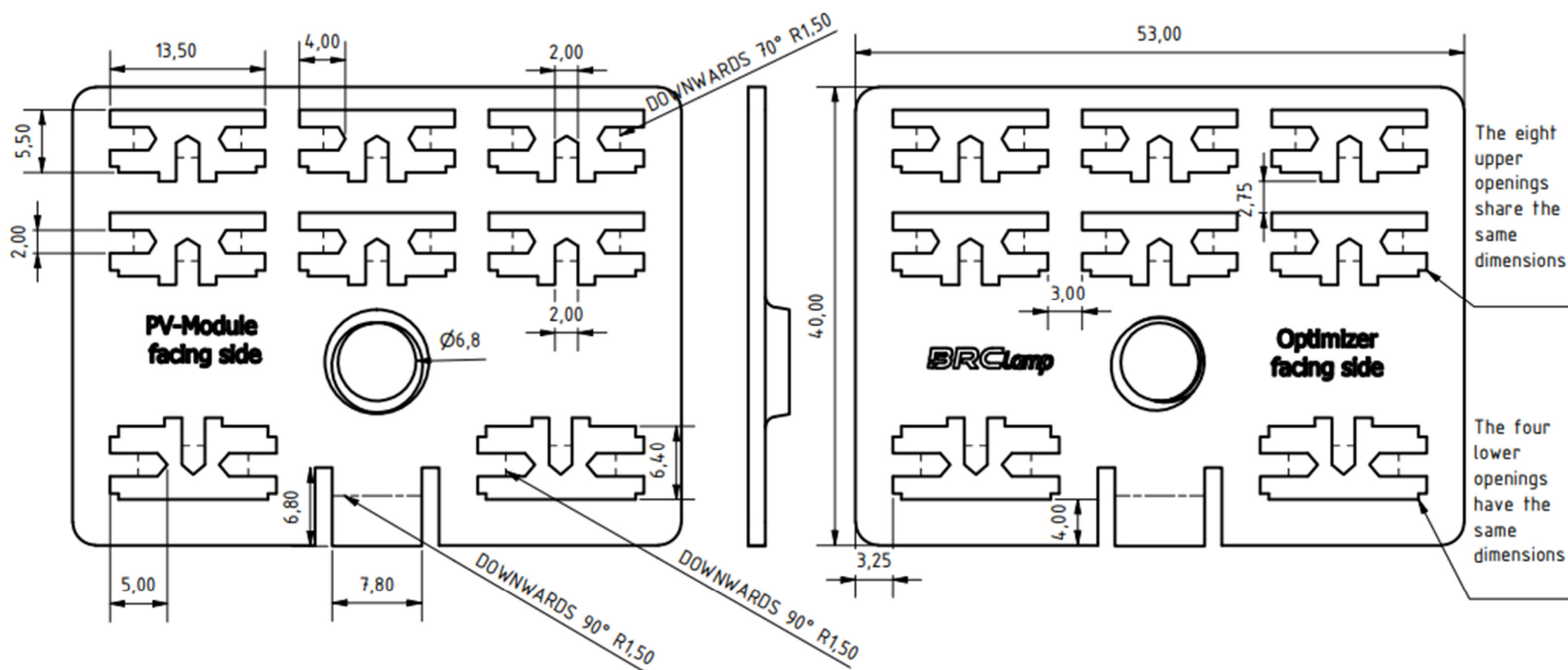


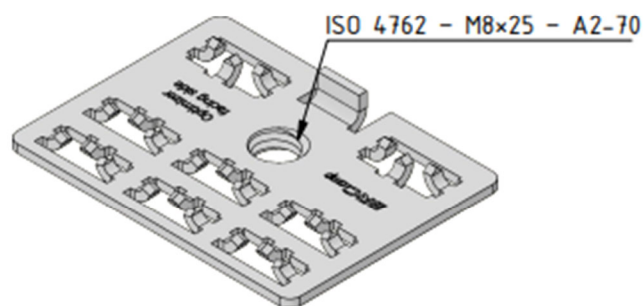
Bottom View ( 2 : 1 )

Right View ( 2 : 1 )

Top View ( 2 : 1 )



ISO View ( 1 : 1 )



**This is a preliminary drawing. Part design is subject to change**

**BRC**  
SOLAR  
Gefährstraße 7, 76275 Sotzingen

UNLESS OTHERWISE  
SPECIFIED, DIMENSIONS  
ARE IN MILLIMETERS

FIRST ANGLE PROJECTION



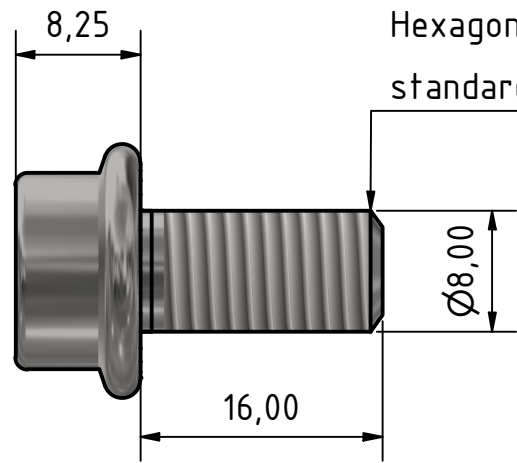
	NAME	SIGNATURE	DATE
DRAWN	Alejandra Romero		26.11.2025
CHECKED			
APPROVED			

MATERIAL  
1.5mm Stainless Steel (1.4301 EN 10088)

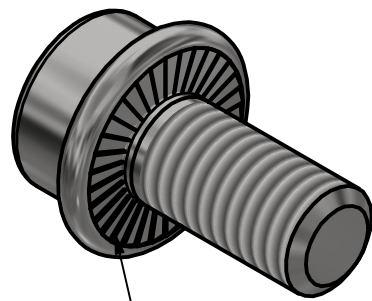
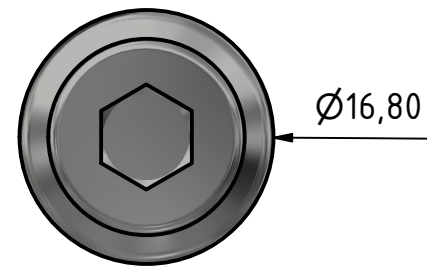
If not stated otherwise, tolerances according to DIN ISO 2768-m apply:  
±0.1 mm (up to 6 mm), ±0.2 mm (up to 30 mm), ±0.3 mm (up to 100 mm), ±0.5 mm (up to 400 mm)  
This drawing is confidential.  
Reproduction, disclosure, or use only with BRC Solar GmbH's written consent

TITEL  
BRC-M-BRCLAMP

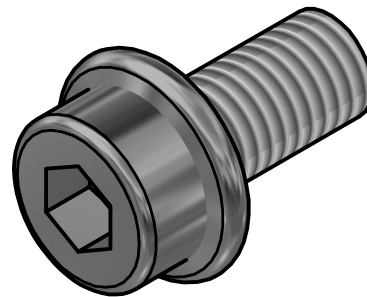
SIZE	DWG. NO.	REV.
A4	250011	V2-0
SCALE	WEIGHT	SHEET
2 : 1		1/1



Hexagon socket head with serrated flange, M12 x 16,  
standard similar to ISO 4746



Serrated flange



**This is a preliminary drawing. Part design is subject to change**



UNLESS OTHERWISE SPECIFIED, DIMENSIONS ARE IN MILLIMETERS

FIRST ANGLE PROJECTION



	NAME	SIGNATURE	DATE
DRAWN	Alejandra Romero		23.03.2026
CHECKED			
APPROVED			

If not stated otherwise, tolerances according to DIN ISO 2768-m apply:  
±0.1 mm (up to 6 mm), ±0.2 mm (up to 30 mm), ±0.3 mm (up to 120 mm), ±0.5 mm (up to 400 mm)  
This drawing is confidential.  
Reproduction, disclosure, or use only with BRC Solar GmbH's written consent

TITEL BRC-M-CLAMP-SCREW		
SIZE A4	DWG. NO. 260003	REV. V1-0

MATERIAL Stainless Steel ISO 3506-01 A2-70	SCALE 2 : 1	WEIGHT	SHEET 1/1
---	----------------	--------	--------------