

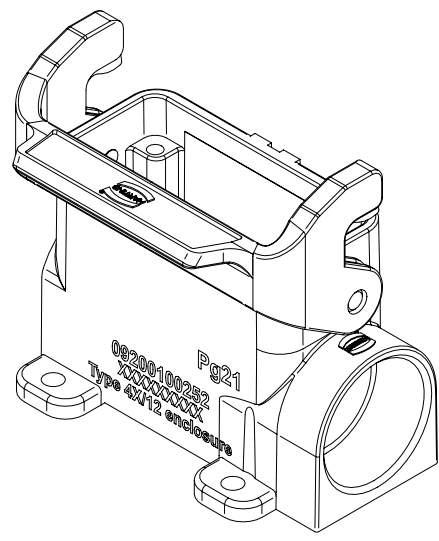
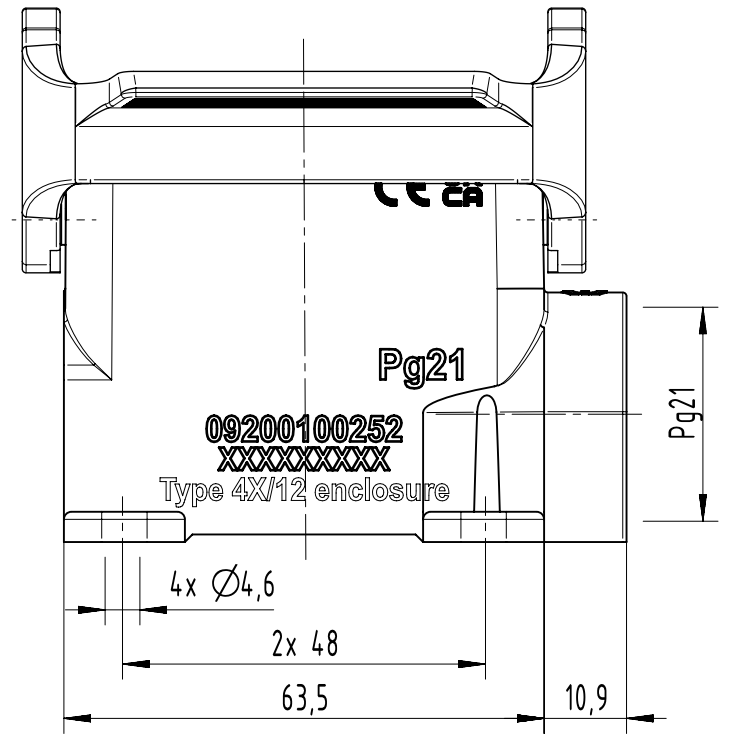
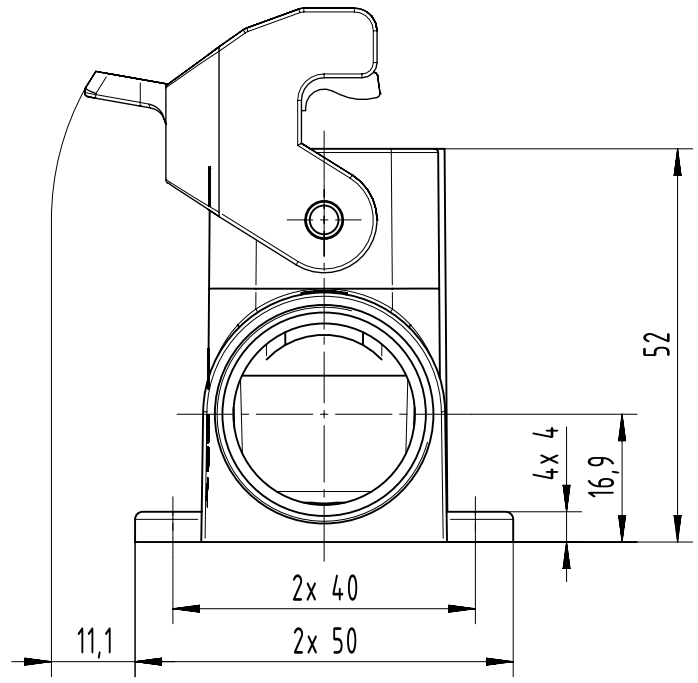
1 2 3 4 5 6


A

B

C

D



	All Dimensions in mm Original Size DIN A4		Scale 1:1	Free size tol.		Ref.	
	All rights reserved Department EL PD		Created by HOLLERT	Inspected by GERB	Standardisation	Sub. TB 09 20 010 0252 v. 23.02.93	
Title Han 10 A-asg1-LB-21			State 40 - Released			Date 13-Nov-2024	
Type TB			Number 09200100252			State 40 - Released	
HARTING D-32339 Espelkamp			Doc-Key / ECM-Nr. 100189737/UGD/004/F 500000258161			Rev. F	
						Page 1/1	