

## Plug - with screw terminals one piece housing



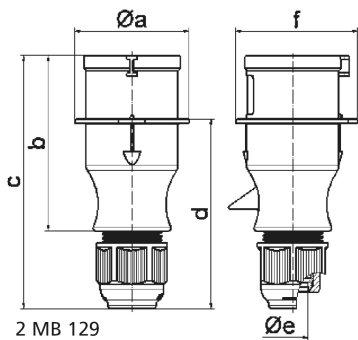
Product description	
BALS-Prd.-Nr	21001-TLS
EAN	4024941192323
Product category	TLS plug with MULTI-GRIP cable gland
Current	16A
Number of poles	3p
Arrangement of phases	2P+PE
Position of earth contact	6 h
Voltage	200 - 250V~
Frequency	50/60Hz

Product description	
Protection degree	IP44
Colour code	blue RAL 5015
Colour of appliance	Enclosure blue RAL 5015, Cable gland grey RAL 7035
Connection design	with screw terminal
Maximum conductor size	2,5 qmm
Cable entry	with cable gland
Height	143mm
Width	54mm
Depth	59mm
Material of enclosure	Polyamide
Contacts	the contact carrier is made of polyamide, the contacts are brass

Additional technical properties	
	one piece housing, MULTI-GRIP cable gland with gasket and integrated strain relief, For cable diameter from 8 up to max. 18 mm

Logistics data	
Weight/pcs	0.128 kg / Piece
Packaging	Bag
Content amount	1 ST
EAN	4024941192323

Logistics data	
Length	59 mm
Width	54 mm
Height	143 mm
Weight	0.129 kg
Volume	455.598 ccm
Packaging	Carton
Content amount	10 ST
EAN	4024941828178
Length	207 mm
Width	162 mm
Height	142 mm
Weight	1.38 kg
Volume	3,750 ccm



Ampere	16	16	16	32	32	32
Polzahl	3	4	5	3	4	5
a ø	54,0	60,0	66,0	71,0	71,0	80,0
b	94,5	98,0	101,0	115,0	115,0	119,0
c	138,0	142,0	145,0	170,0	170,0	174,0
d	101,5	105,5	108,5	124,0	124,0	128,0
e ø	18,0	18,0	18,0	23,0	23,0	23,0
f	56,6	64,0	71,0	76,0	76,0	85,0
Leiter mm <sup>2</sup> min	1	1	1	2,5	2,5	2,5
Leiter mm <sup>2</sup> max	2,5	2,5	2,5	6	6	6