

Connector - with screwless terminals for harsh applications



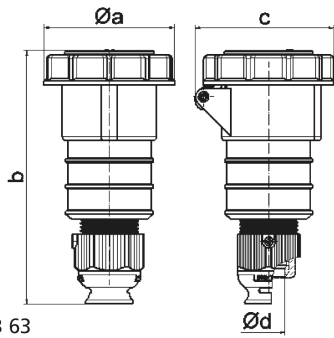
Product description	
BALS-Prd.-Nr	31242
EAN	4024941312424
Product category	QUICK-CONNECT TE connector
Current	16A
Number of poles	4p
Arrangement of phases	3P+PE
Position of earth contact	7 h
Voltage	480 - 500V~

Product description	
Frequency	50/60Hz
Protection degree	IP67
Colour code	black RAL 9005
Colour of appliance	Enclosure black RAL 9005, Hinged lid black RAL 9005, Bayonet ring grey RAL 7035, Cable gland grey RAL 7035
Connection design	screwless spring terminals with KONTEX-contact
Maximum conductor size	2,5 qmm
Cable entry	with cable gland
Height	160mm
Width	79mm
Depth	84mm
Material of enclosure	Polyamide
Contacts	the contact carrier is made of high temperature resistant material, the contacts are brass nickel plated

Additional technical properties	
	For cable diameter from 8 up to max. 18 mm, MULTI-GRIP cable gland with gasket, integrated cable clamp and additional water evacuation openings

Logistics data	
Weight/pcs	0.205 kg / Piece
Packaging	Bag
Content amount	1 ST

Logistics data	
EAN	4024941312424
Length	84 mm
Width	79 mm
Height	160 mm
Weight	0.206 kg
Volume	1,190.135 ccm
Packaging	Carton
Content amount	10 ST
EAN	4024941958356
Length	258 mm
Width	183 mm
Height	212 mm
Weight	2.202 kg
Volume	8,750 ccm



3 MB 63

Ampere Polzahl	16 3	16 4	16 5	32 3	32 4	32 5
a ø	70,5	78,0	86,5	94,0	94,0	101,5
b	161,0	161,0	168,0	196,0	196,0	200,0
c	77,0	83,0	93,0	99,0	99,0	107,0
d ø	18,0	18,0	21,0	23,0	23,0	27,0
Leiter mm ² min	1	1	1	2,5	2,5	2,5
Leiter mm ² max	2,5	2,5	2,5	6	6	6