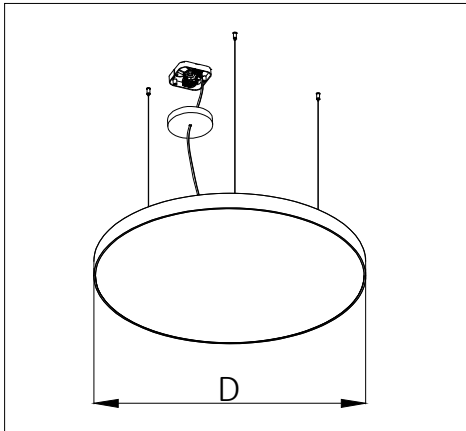
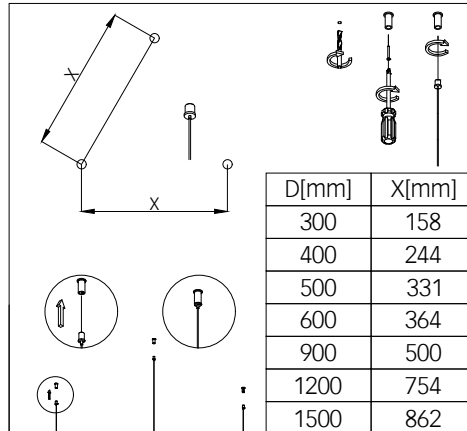


## BASIC MAX G1/P1 | SUSPENDED PARALLEL SUSPENSION

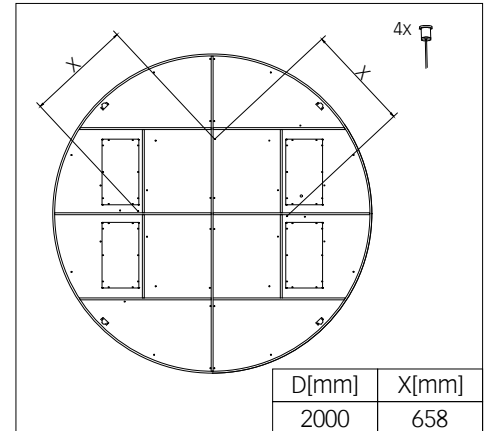
### 1. MONTAGE UND INSTALLATION | MOUNTING AND INSTALLATION:



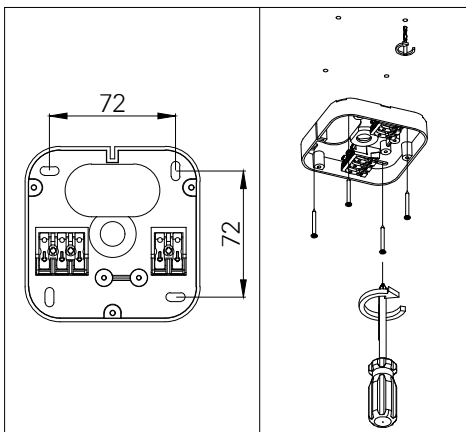
1. Bei allen Montagearbeiten Handschuhe tragen.  
 Use gloves when handling the fixture.



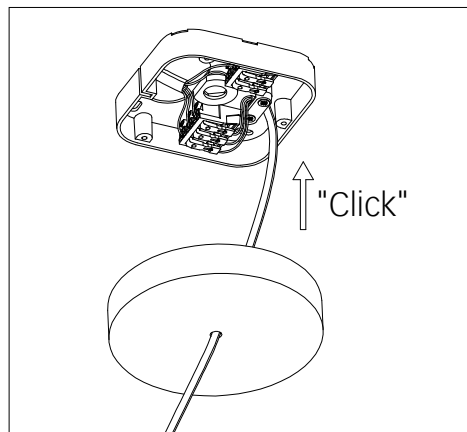
2. Montageöffnungen.  
 Installation openings.



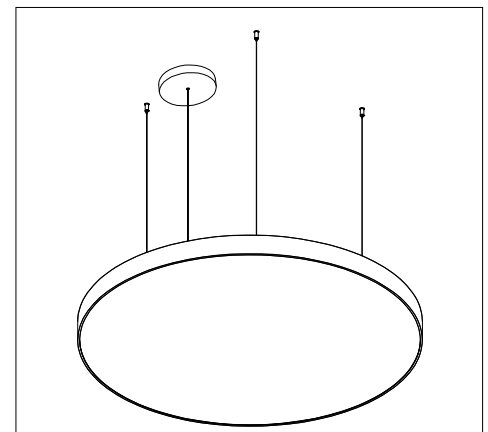
3.



4.



5.  
 - min/max stripped wire length: 7mm-10mm  
 - max power supply cable: 1,5mm<sup>2</sup>



6.