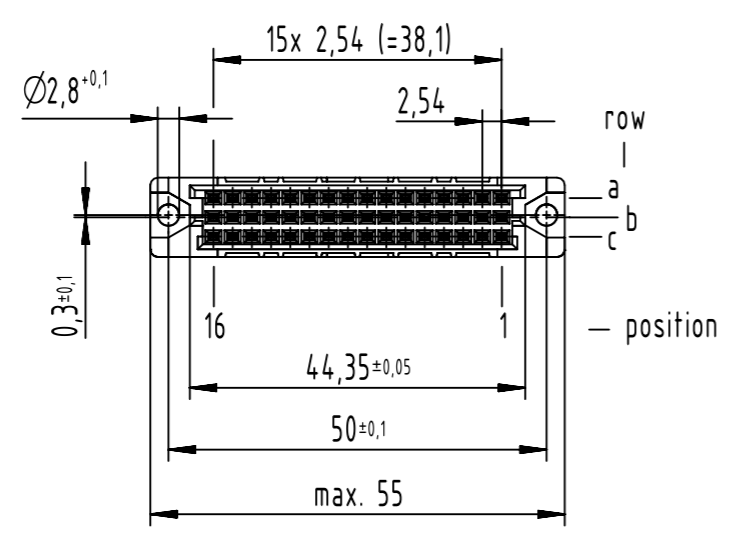
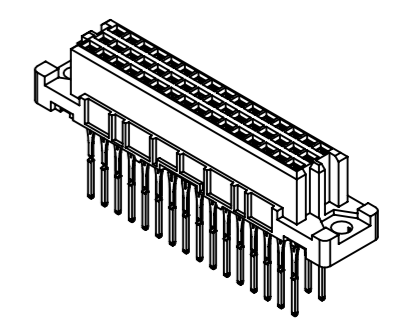
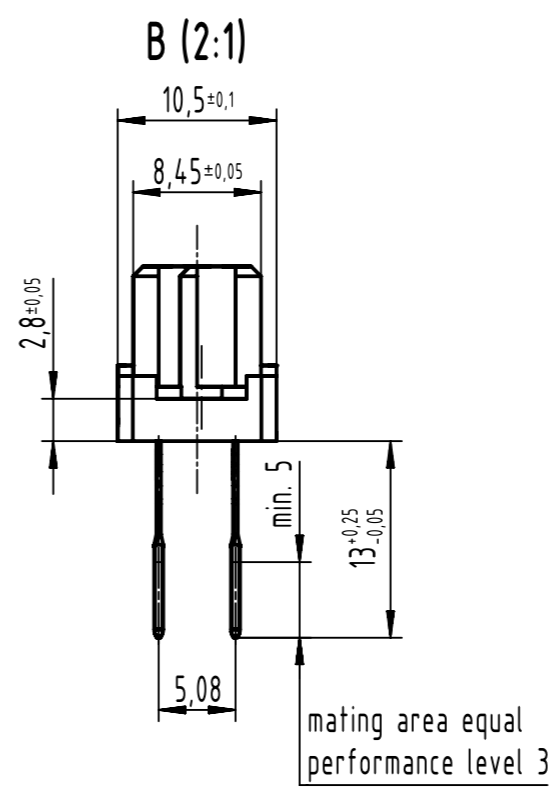
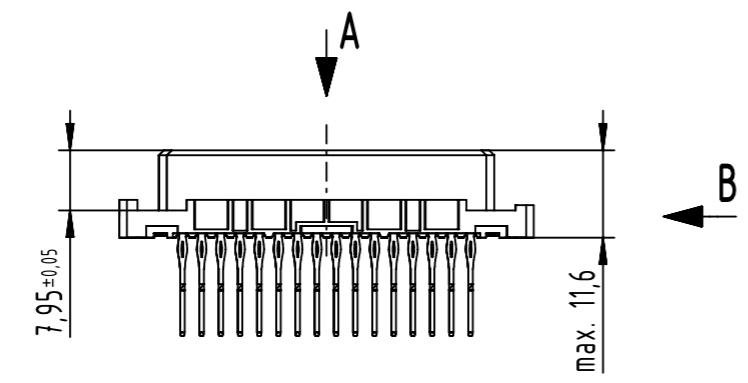


32 press-in contacts

☒ = position with contact

☐ = position without contact



1 recommended configuration of plated through holes and further information see product data sheet

09 23 232 6861	2
part no.	performance level

	All rights reserved	Created by LEHNERT	Inspected by STORCK	Standardisation	Date 2024-03-13	State Final Release
	Department EL PD	Title DIN Signal type 2C female press-in 13.0 32-pole			Doc-Key / ECM-Nr. 100222175/UGD/010/E 500000265462	
HARTING D-32339 Espelkamp	Type TB	Number 0923232X861		Rev. E	Page 1/1	