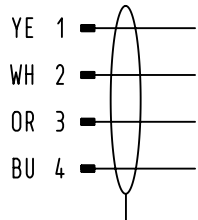
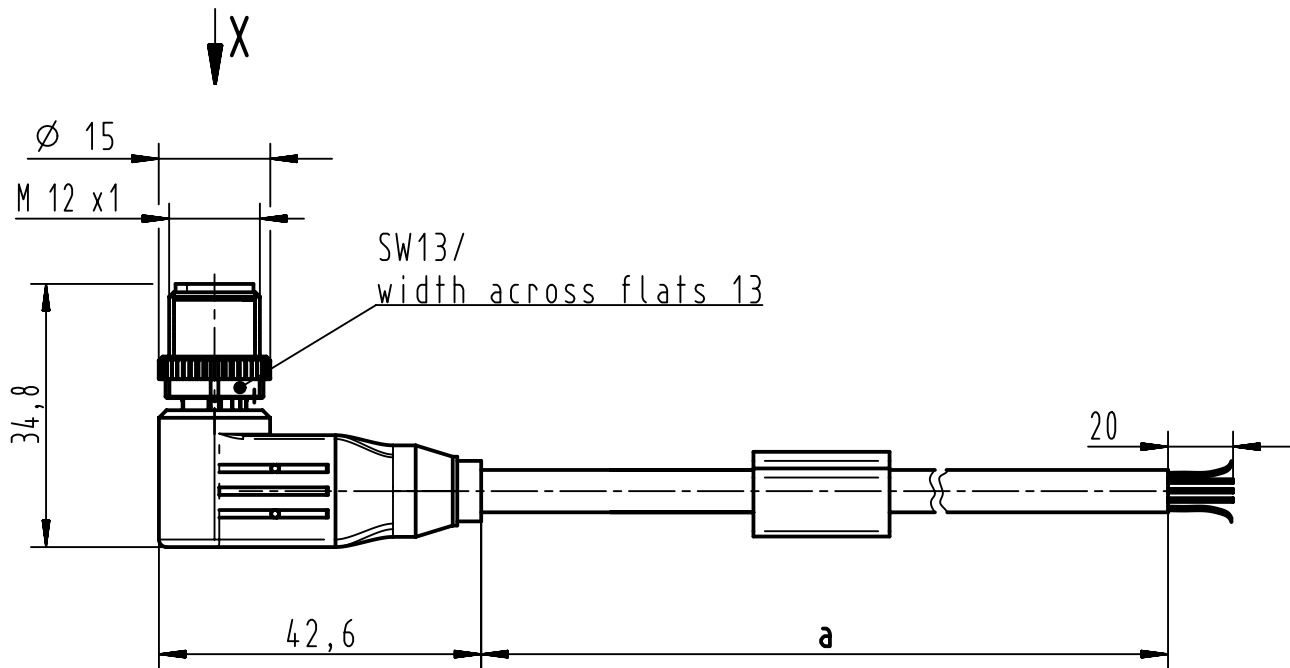
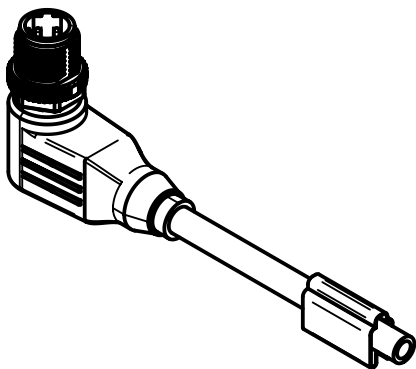


Schematic diagram



Connector frame



	All Dimensions in mm Original Size DIN A4	Scale 1:1		Free size tol.		Ref.	
						Sub.	
	All rights reserved Department EC PD - RO	Created by DRAGHICI	Inspected by AVRAM	Standardisation HOFFMANN	Date 2013-02-25	State Final Release	
		Title M12 circular connector, AWG22, D-coded					Doc-Key / ECM-Nr. 100177528/UGD/005/C 500000059479
HARTING Electronics GmbH D-32339 Espelkamp		Type TB	Number 21035853400_PAGE_1			Rev. C	Page 1/1