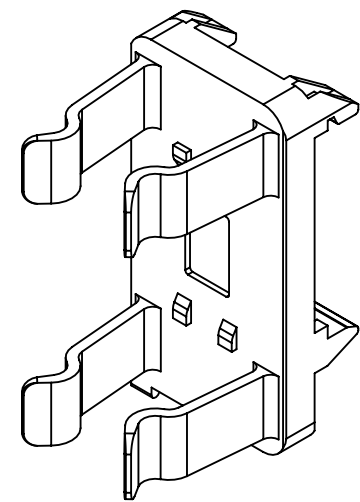
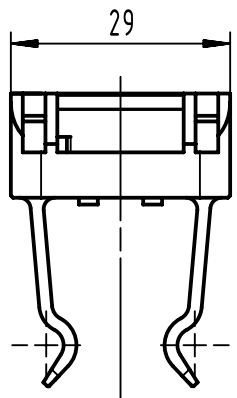
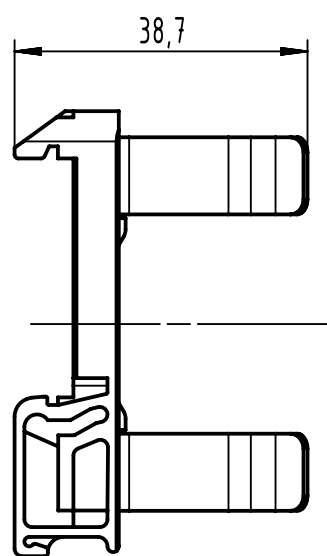
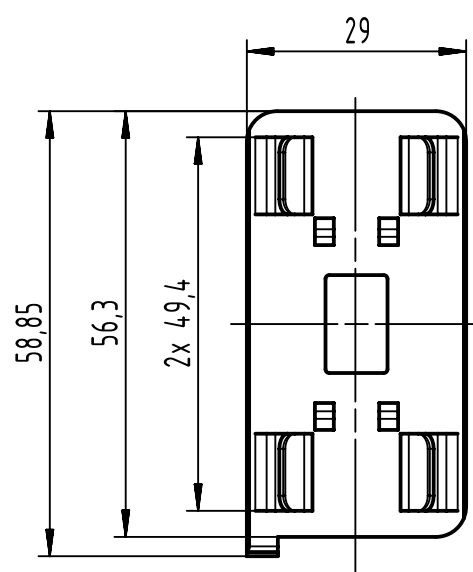


A


B

C

D



useable for all electrical Han-1A®
 on rail DIN EN 60 715-35 x 7.5 with 1 mm thickness
 or rail DIN EN 60 715-35 x 15 with 1.5 mm thickness

	All rights reserved Department EL PD	All Dimensions in mm Original Size DIN A4		Scale 1:1	Free size tol.		Ref.
		Created by BALSAN	Inspected by 402625	Standardisation	Date 2023-02-16	State Final Release	
HARTING D-32339 Espelkamp			Title Han 1A-DIN rail adapter			Doc-Key / ECM-Nr. 100937130/UGD/001/D 500000237938	
			Type TB	Number 09 10 000 9912		Rev. D	Page 1/1