

1

2

3

4

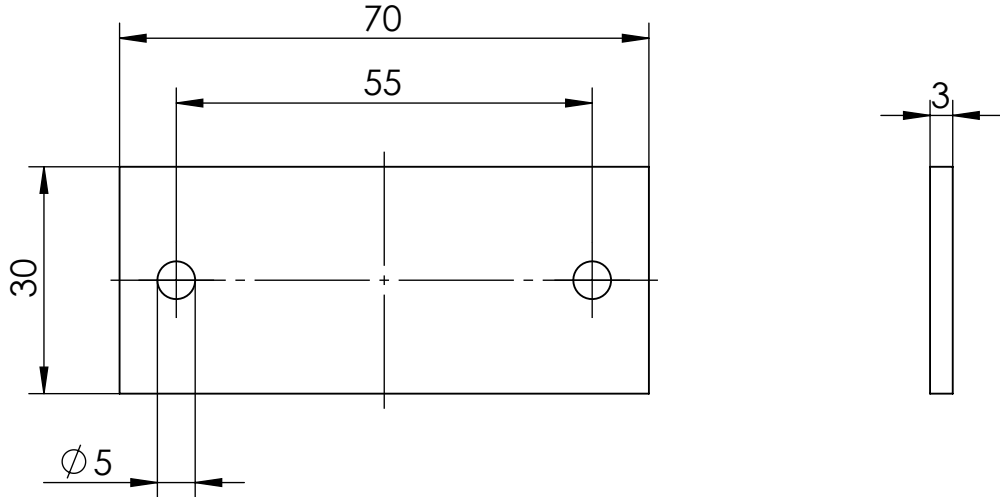
A

B

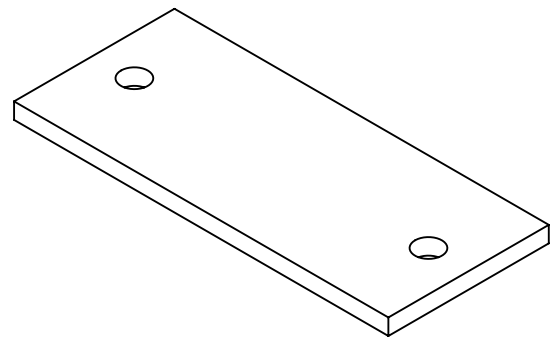
C

D

E



Isometric



K2 Systems GmbH  
 Haldenstr. 1  
 71272 Renningen  
 Germany  
 +49 7159 42059-0

Designation:

Data sheet  
 CarrierRail AntiSlip Plate

F

	Name	Date	Material:	Item no.:	2004288	A4
Designed	A. Soumpalas	01.12.2023	EN AW 6060 T66			
Approved	M. Aydemir	27.03.2025	Surface: blank	Drawing no.:	14-002-02	All dimensions in mm
Last change	M. Schuler	27.03.2025	Weight: ca. 16.69 g/pc	Scale: 1:1		Sheet 1 of 1

This drawing is the sole property of K2 Systems GmbH. It is protected by copyright and may only be copied, reproduced or distributed to a third party with explicit permission!