

## Plug - 7 poles with MULTI-GRIP



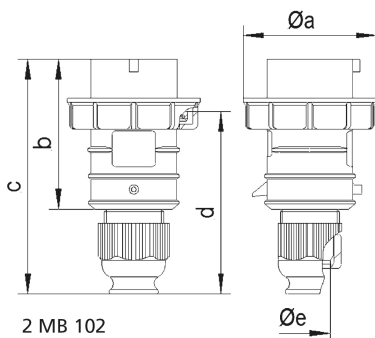
Product description	
BALS-Prd.-Nr	21712
EAN	4024941217125
Product category	TE plug
Current	32A
Number of poles	7p
Arrangement of phases	6p+PE
Position of earth contact	9 h
Voltage	230V~
Frequency	50/60Hz

Product description	
Protection degree	IP67
Colour code	blue RAL 5015
Colour of appliance	Collar blue RAL 5015, Bayonet ring grey RAL 7035, Cable gland grey RAL 7035, Housing cover blue RAL 5015
Connection design	with screw terminal
Maximum conductor size	6,0 qmm
Cable entry	with cable gland
Height	182mm
Width	102mm
Depth	102mm
Material of enclosure	Polyamide
Contacts	the contact carrier is made of high temperature resistant material, the contacts are brass nickel plated

Additional technical properties	
	For cable diameter from 13 up to max. 27 mm, MULTI-GRIP cable gland with gasket, integrated cable clamp and additional water evacuation openings

Logistics data	
Weight/pcs	0.405 kg / Piece
Packaging	Bag
Content amount	1 ST

Logistics data	
EAN	4024941217125
Length	102 mm
Width	102 mm
Height	182 mm
Weight	0.406 kg
Volume	1,893.528 ccm
Packaging	Carton
Content amount	10 ST
EAN	4024941835985
Length	330 mm
Width	216 mm
Height	260 mm
Weight	4.276 kg
Volume	17,062.5 ccm



Ampere	16	32						
Polzahl	7	7						
a ø	86,0	101,0						
b	97,0	117,0						
c	152,0	181,0						
d	119,0	138,5						
e ø	21,0	27,0						
f	1	2,5						
Leiter mm <sup>2</sup> min	2,5	6						
Leiter mm <sup>2</sup> max								