

## Connector - with screwless terminals for harsh applications



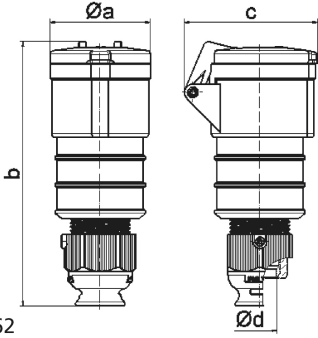
| Product description       |                            |
|---------------------------|----------------------------|
| BALS-Prd.-Nr              | 31967                      |
| EAN                       | 4024941319676              |
| Product category          | QUICK-CONNECT TE connector |
| Current                   | 32A                        |
| Number of poles           | 3p                         |
| Arrangement of phases     | 2P+PE                      |
| Position of earth contact | 4 h                        |
| Voltage                   | 100 - 130V~                |

| Product description    |  |
|------------------------|--|
| Frequency              | 50/60Hz  |
| Protection degree      | IP44   |
| Colour code            | yellow RAL 1012  |
| Colour of appliance    | Hinged lid yellow RAL 1012, Enclosure yellow RAL 1012, Cable gland grey RAL 7035                         |
| Connection design      | screwless spring terminals with KONTEX-contact   |
| Maximum conductor size | 6,0 qmm  |
| Cable entry            | with cable gland   |
| Height                 | 198mm  |
| Width                  | 66mm   |
| Depth                  | 91mm   |
| Material of enclosure  | Polyamide  |
| Contacts               | the contact carrier is made of high temperature resistant material, the contacts are brass nickel plated |

| Additional technical properties |  |
|---------------------------------|--|
|                                 | For cable diameter from 11 up to max. 23,5 mm, MULTI-GRIP cable gland with gasket, integrated cable clamp and additional water evacuation openings |

| Logistics data |                 |
|----------------|-----------------|
| Weight/pcs     | 0.29 kg / Piece |
| Packaging      | Bag             |
| Content amount | 1 ST            |

| Logistics data |               |
|----------------|---------------|
| EAN            | 4024941319676 |
| Length         | 91 mm         |
| Width          | 66 mm         |
| Height         | 198 mm        |
| Weight         | 0.291 kg      |
| Volume         | 1,189.188 ccm |
| Packaging      | Carton        |
| Content amount | 10 ST         |
| EAN            | 4024941834612 |
| Length         | 325 mm        |
| Width          | 217 mm        |
| Height         | 210 mm        |
| Weight         | 3.102 kg      |
| Volume         | 13,588.4 ccm  |



3 MB 62

| Ampere                     | 16    | 16    | 16    | 32    | 32    | 32    |
|----------------------------|-------|-------|-------|-------|-------|-------|
| Polzahl                    | 3     | 4     | 5     | 3     | 4     | 5     |
| a ø                        | 51,0  | 58,0  | 65,0  | 66,5  | 66,5  | 72,0  |
| b                          | 156,0 | 162,0 | 168,0 | 195,0 | 195,0 | 198,0 |
| c                          | 72,0  | 78,0  | 86,0  | 89,0  | 89,0  | 99,0  |
| d ø                        | 18,0  | 18,0  | 21,0  | 23,0  | 23,0  | 27,0  |
| Leiter mm <sup>2</sup> min | 1     | 1     | 1     | 2,5   | 2,5   | 2,5   |
| Leiter mm <sup>2</sup> max | 2,5   | 2,5   | 2,5   | 6     | 6     | 6     |
|                            |       |       |       |       |       |       |
|                            |       |       |       |       |       |       |
|                            |       |       |       |       |       |       |
|                            |       |       |       |       |       |       |