

1

2

3

4

A

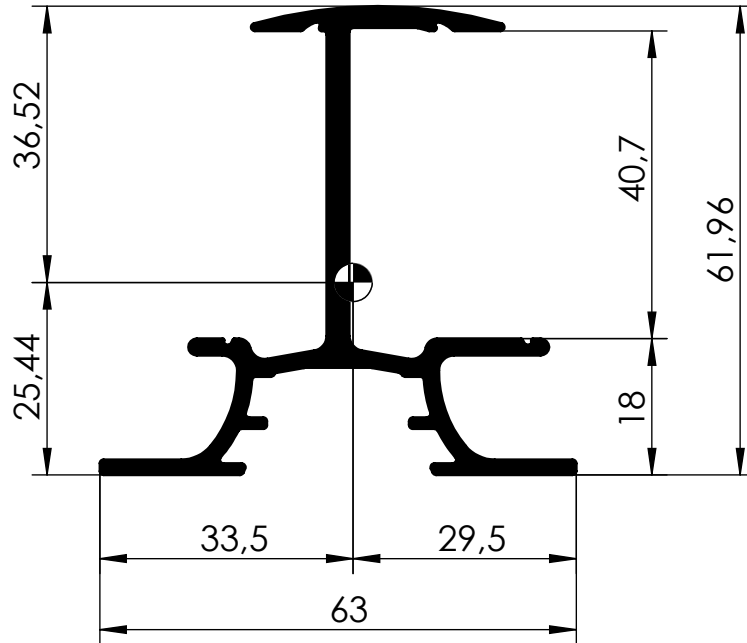
B

C

D

E

F



Characteristics for calculation:

$$A = 4,51 \text{ cm}^2$$

$$I_y = 20,71 \text{ cm}^4$$

$$I_z = 7,86 \text{ cm}^4$$

$$W_y = 5,69 \text{ cm}^3$$

$$W_z = 2,43 \text{ cm}^3$$

$$W_t = 0,27 \text{ cm}^3$$



K2 Systems GmbH
Haldenstr. 1
71272 Renningen
Germany
+49 7159 42059-0

Designation:

Data sheet
InsertionRail 2.0 40 black
per meter

	Name	Date	Material:	Item no.:	2004336	A4
Designed	E. Markou	20.04.2023	EN AW 6063 T66			
Approved	M. Schuler	14.02.2025	Surface: anodised	Drawing no.:	01-365-04	All dimensions in mm
Last change	C. Niedermaier	14.02.2025	Weight: ca. 1219 g/m	Scale: 1:1		Sheet 1 of 1

This drawing is the sole property of K2 Systems GmbH. It is protected by copyright and may only be copied, reproduced or distributed to a third party with explicit permission!