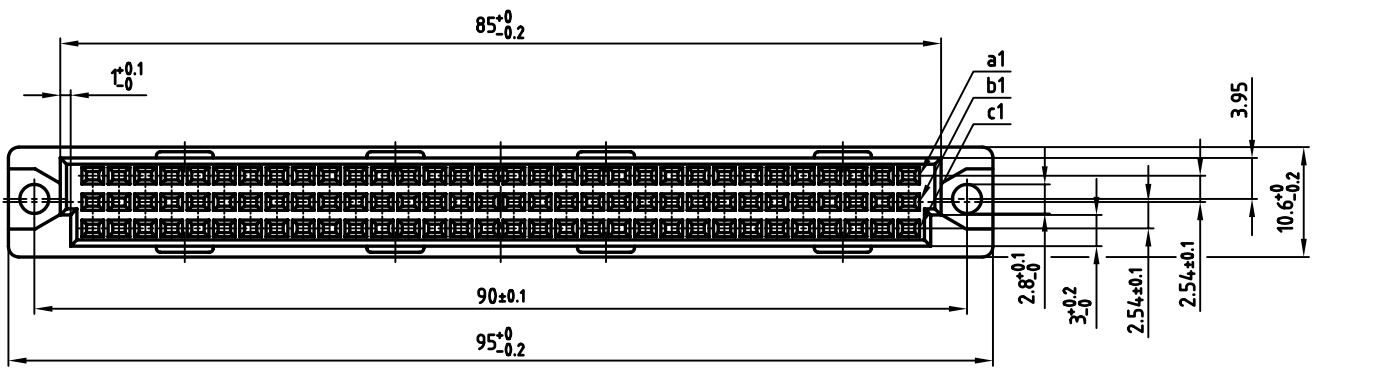
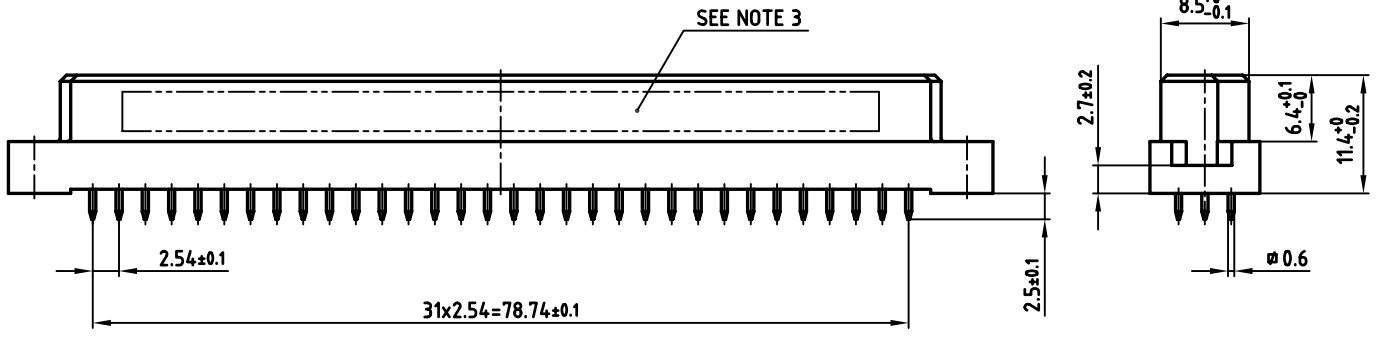
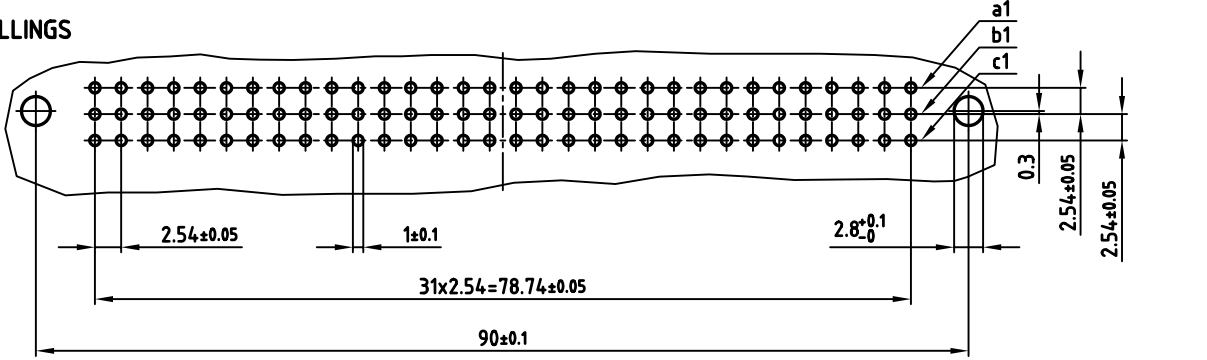


used for: DIN EN 60603 TYPE "C"



P.C.B.-HOLE DRILLINGS



- NOTES:**
1. INSULATOR: PBT GF UL 94 V-0; GREY
  2. CONTACTS: COPPER ALLOY  
PLATING: min. 8µ" HARD GOLD OVER min. 50µ" NICKEL
  3. CONNECTOR IS PART MARKED: 122A10259X CONEC Y/WW



APPROVAL # FREIGABE # DEBLOCAGE # AUTORIZACION # APPROVAL

CUSTOMER APPROVAL DATE:

NAME: TITLE:

COMPANY NAME:

APPROVAL # FREIGABE # DEBLOCAGE # AUTORIZACION # APPROVAL

THIS DRAWING MAY NOT BE COPIED OR REPRODUCED IN ANY WAY, AND MAY NOT BE PASSED ON TO A THIRD PARTY, WITHOUT WRITTEN PERMISSION. OWNERSHIP AND COPYRIGHT OF CONEC GmbH. DO NOT ALTER CAD DRAWING BY HAND

rev.	description	date	name

tolerance		scale:	2:1
		material:	SEE NOTES
2002	date	name	<b>FEMALE CONNECTOR TYPE "C"</b> 96pos. SOLDER PIN 2.5mm
drawn	01.07.	Parei	
appd.	01.07.	E. Mickenbecker	
norm	DIN EN 60603		
d-old			dwg no: AutoCAD 2000
			DIN-A
			3
			sh: 1/1
part no:		122A10259X	