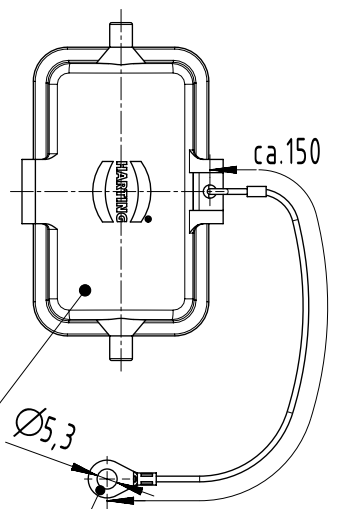
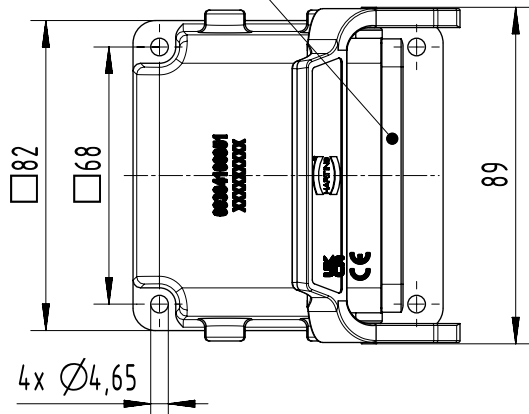
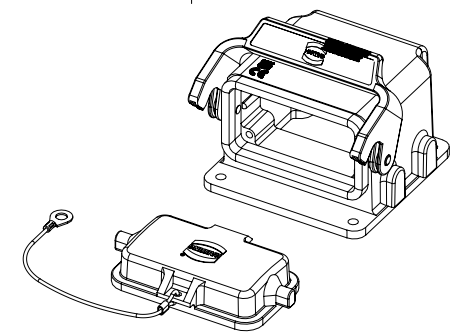
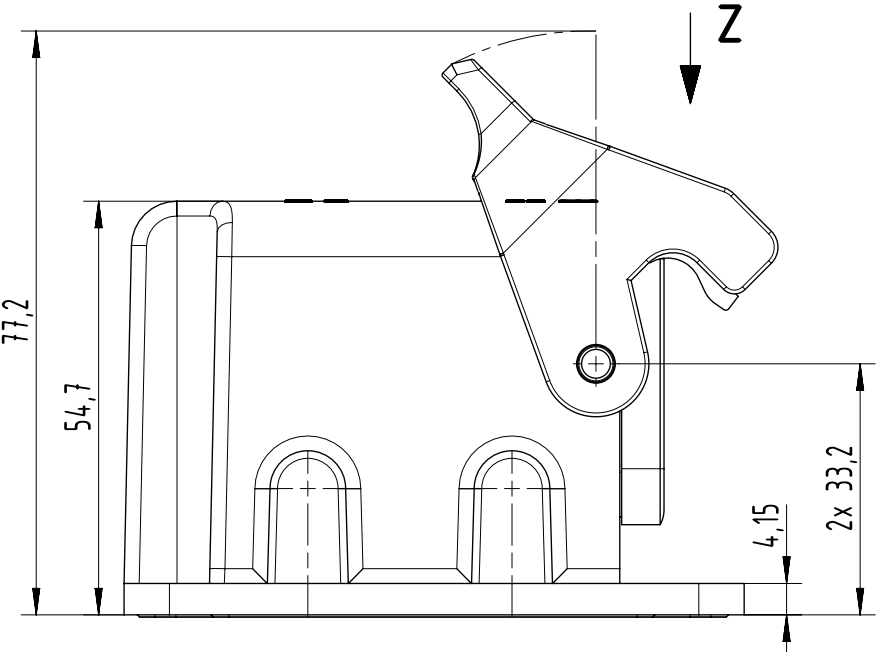


seal Z(1:2)

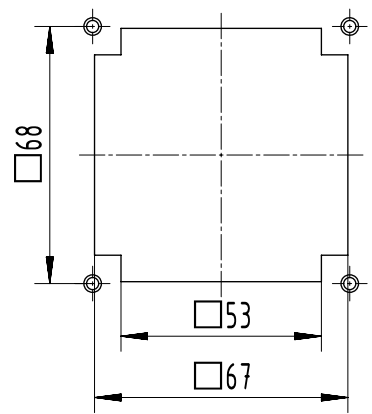


cover separately enclosed

the orientation of the cable lug is variable



panel cut out (1:2)



housing without coating

	All Dimensions in mm Original Size DIN A4		Scale 1:1	Free size tol.		Ref.	
	All rights reserved Department EL PD		Created by spreenb	Inspected by gerb	Standardisation	Date 08-Nov-2024	State 40 - Released
HARTING D-32339 Espelkamp			Title Han 10B-agw-LB-AK-68			Doc-Key / ECM-Nr. DS00181369	
		Type TB	Design Number DS00181369	SAP Mat. Number 09304100951		Rev. E	Page 1/1