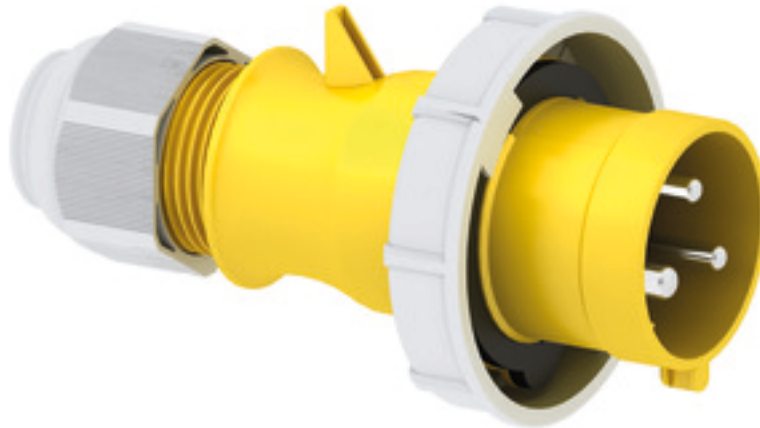


Plug - with screw terminals one piece housing



Product description	
BALS-Prd.-Nr	210593
EAN	4024941109932
Product category	TLS plug with MULTI-GRIP cable gland
Current	32A
Number of poles	3p
Arrangement of phases	2P+PE
Position of earth contact	4 h
Voltage	100 - 130V~
Frequency	50/60Hz

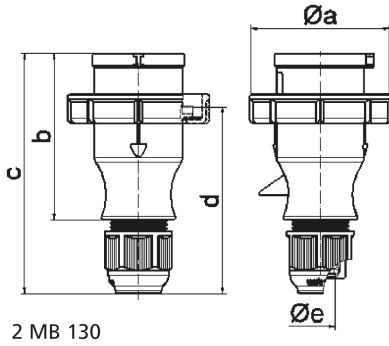
Product description	
Protection degree	IP67
Colour code	yellow RAL 1012
Colour of appliance	Enclosure yellow RAL 1012, Bayonet ring grey RAL 7035, Cable gland grey RAL 7035
Connection design	with screw terminal
Maximum conductor size	6,0 qmm
Cable entry	with cable gland
Height	170mm
Width	94mm
Depth	94mm
Material of enclosure	Polyamide
Contacts	the contact carrier is made of polyamide, the contacts are brass nickel plated

Additional technical properties	
	one piece housing, MULTI-GRIP cable gland with gasket and integrated strain relief, For cable diameter from 11 up to max. 23,5 mm

Logistics data	
Weight/pcs	0.233 kg / Piece
Packaging	Bag
Content amount	1 ST
EAN	4024941109932

Logistics data	
Length	94 mm
Width	94 mm
Height	170 mm
Weight	0.234 kg
Volume	1,502.12 ccm
Packaging	Carton
Content amount	10 ST
EAN	4024941832113
Length	325 mm
Width	217 mm
Height	210 mm
Weight	2.536 kg
Volume	13,588.4 ccm

Metal surcharges	
Surcharge type	Kupfer
Materialbase	150 EUR per 100 Kilogram
Included weight of material	0.144 Kilogram per 1 Piece



Ampere	16	16	16	32	32	32
Polzahl	3	4	5	3	4	5
a Ø	70,0	78,0	86,0	94,0	94,0	101,0
b	94,5	98,0	101,0	115,0	115,0	119,0
c	138,0	142,0	145,0	170,0	170,0	174,0
d	105,5	109,5	112,5	128,0	128,0	132,0
e Ø	18,0	18,0	18,0	23,0	23,0	23,0
Leiter mm ² min	1	1	1	2,5	2,5	2,5
Leiter mm ² max	2,5	2,5	2,5	6	6	6