

Plug TN - with cable gland with closure cap



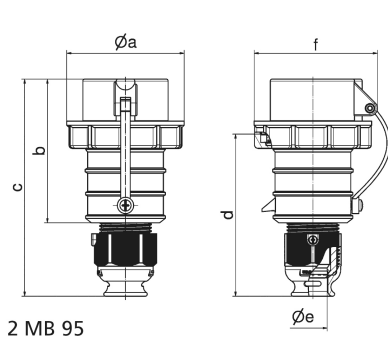
Product description	
BALS-Prd.-Nr	21424
EAN	4024941214247
Product category	QUICK-CONNECT TN plug
Current	16A
Number of poles	5p
Arrangement of phases	3p+N+PE
Position of earth contact	11 h
Voltage	250/440 - 265/460V~
Frequency	60Hz

Product description	
VG-type-no.:	VG 96919 CP 003
Protection degree	IP67
Colour code	bronze-green RAL 6031-F9
Colour of appliance	Cable gland bronze-green RAL 6031-F9, Bayonet ring bronze-green RAL 6031-F9, Housing cover bronze-green RAL 6031-F9, Collar bronze-green RAL 6031-F9, Closure cap bronze-green RAL 6031-F9
Connection design	screwless spring-clamp technology
Maximum conductor size	2,5 qmm
Cable entry	with cable gland
Height	161mm
Width	86.5mm
Depth	91mm
Material of enclosure	Polyamide
Contacts	the contact carrier is made of high temperature resistant material, the contacts are brass nickel plated

Additional technical properties	
	For cable diameter from 10 up to max. 21 mm, MULTI-GRIP cable gland with gasket, integrated cable clamp and additional water evacuation openings
	With closure cap

Logistics data	
Weight/pcs	0.265 kg / Piece

Logistics data	
Packaging	Bag
Content amount	1 ST
EAN	4024941214247
Length	91 mm
Width	86.5 mm
Height	161 mm
Weight	0.266 kg
Volume	1,190.135 ccm
Packaging	Carton
Content amount	10 ST
EAN	4024941839006
Length	258 mm
Width	183 mm
Height	212 mm
Weight	2.802 kg
Volume	8,750 ccm



Ampere	16	16	16	32	32	32
Polzahl	3	4	5	3	4	5
a ø	70,0	78,0	86,0	94,0	94,0	101,0
b	103,5	104,0	105,5	127,0	127,0	129,5
c	153,5	154,0	160,5	187,0	187,0	193,5
d	111,0	111,0	119,0	136,0	136,0	138,5
e ø	18,0	18,0	21,0	23,5	23,5	27,0
f	75,5	82,5	91,0	96,5	96,5	104,5
Leiter mm ² min	1,0	1,0	1,0	2,5	2,5	2,5
Leiter mm ² max	2,5	2,5	2,5	6,0	6,0	6,0