

Z(1:2)

cover separately enclosed

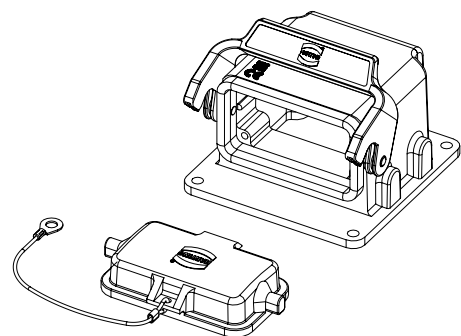
ca.150

seal

the orientation of the cable lug is variable

panel cut out (1:2)

housing without coating



	All Dimensions in mm Original Size DIN A4		Scale 1:1	Free size tol.		Ref. Sub.		
	All rights reserved Department EL PD		Created by spreenb	Inspected by gerb	Standardisation	Date 08-Nov-2024	State 40 - Released	
HARTING D-32339 Espelkamp			Title <b>Han 10B-agw-LB-AK-80</b>				Doc-Key / ECM-Nr. DS00186395	
			Type TB	Design Number DS00186395	SAP Mat. Number 09304100983	Rev. D	Page 1/1	