

Connector - with screwless terminals for harsh applications



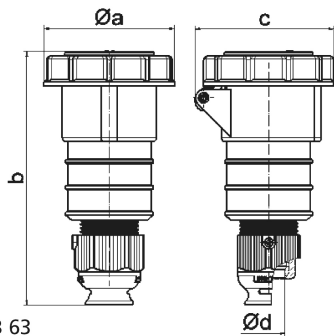
Product description	
BALS-Prd.-Nr	31409
EAN	4024941314091
Product category	QUICK-CONNECT TE connector
Current	16A
Number of poles	5p
Arrangement of phases	3p+N+PE
Position of earth contact	2 h
Voltage	> 50V~

Product description	
Frequency	> 300 - 500Hz
Protection degree	IP67
Colour code	green RAL 6002
Colour of appliance	Hinged lid green RAL 6002, Enclosure green RAL 6002, Bayonet ring grey RAL 7035, Cable gland grey RAL 7035
Connection design	screwless spring terminals with KONTEX-contact
Maximum conductor size	2,5 qmm
Cable entry	with cable gland
Height	168mm
Width	87mm
Depth	92mm
Material of enclosure	Polyamide
Contacts	the contact carrier is made of high temperature resistant material, the contacts are brass nickel plated

Additional technical properties	
	For cable diameter from 10 up to max. 21 mm, MULTI-GRIP cable gland with gasket, integrated cable clamp and additional water evacuation openings

Logistics data	
Weight/pcs	0.244 kg / Piece
Packaging	Bag

Logistics data	
Content amount	1 ST
EAN	4024941314091
Length	92 mm
Width	87 mm
Height	168 mm
Weight	0.245 kg
Volume	1,344.672 ccm
Packaging	Carton
Content amount	10 ST
EAN	4024941835251
Length	258 mm
Width	183 mm
Height	212 mm
Weight	2.592 kg
Volume	8,750 ccm

	Ampere	16	16	16	32	32	32
	Polzahl	3	4	5	3	4	5
	a ø	70,5	78,0	86,5	94,0	94,0	101,5
	b	161,0	161,0	168,0	196,0	196,0	200,0
	c	77,0	83,0	93,0	99,0	99,0	107,0
	d ø	18,0	18,0	21,0	23,0	23,0	27,0
	Leiter mm ² min	1	1	1	2,5	2,5	2,5
	Leiter mm ² max	2,5	2,5	2,5	6	6	6