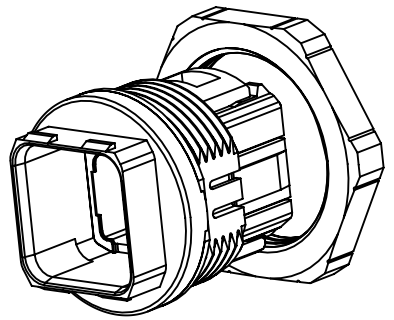


panel thickness: 1mm to 6mm
nut torque: 2.5Nm to 3Nm



further information see product data sheet

	All Dimensions in mm Original Size DIN A4		Scale 2:1	Free size tol.		Ref.
						Sub.
	All rights reserved		Created by STORCK	Inspected by ELLERMANN	Standardisation HOFFMANN	Date 2020-07-07
	Department EL PD					State Final Release
HARTING Electronics GmbH D-32339 Espelkamp			Title Han PP V14 RJ45 PFT metal circular w/o insert			Doc-Key / ECM-Nr. 100221212/UGD/002/C 500000175665
			Type TB	Number 09350120312		Rev. C
						Page 1/1