

## Wall mounting socket outlet switched - 7 poles housing dimensions 225x118



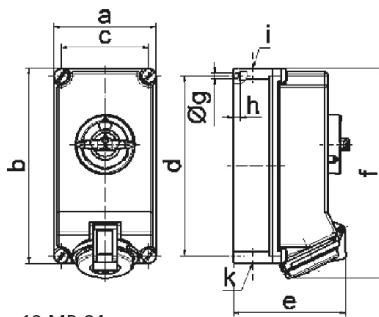
| Product description       |   |
|---------------------------|---|
| BALS-Prd.-Nr              | 16374                                   |
| EAN                       | 4024941163743                           |
| Product category          | TE wall mounting socket outlet switched |
| Current                   | 16A                                     |
| Number of poles           | 7p                                      |
| Arrangement of phases     | 6p+PE                                   |
| Position of earth contact | 6 h                                     |
| Voltage                   | 400V~                                   |

| Product description    |  |
|------------------------|--|
| Frequency              | 50/60Hz  |
| Protection degree      | IP44   |
| Colour code            | red RAL 3000   |
| Colour of appliance    | Hinged lid red RAL 3000, Housing screws grey RAL 7035, Housing bottom grey RAL 7035, Housing top grey RAL 7035, Control knob grey RAL 7035 |
| Connection design      | with screw terminal  |
| Maximum conductor size | 4,0 qmm  |
| Cable entry            | top entry M25/M25 bottom entry M25   |
| Height                 | 243mm  |
| Width                  | 118mm  |
| Depth                  | 137mm  |
| Dimension of enclosure | 225x118 mm (HxW)   |
| Material of enclosure  | Polycarbonate  |
| Contacts               | the contact carrier is made of high temperature resistant material, the contacts are brass nickel plated                                   |

| Additional technical properties |  |
|---------------------------------|--|
|                                 | The cable entry is one at top open, one at top is closed, and two at bottom are closed |
|                                 | In 0-position lockable for 3 padlocks with bow diameter up to 7 mm                     |

| Logistics data |                |
|----------------|----------------|
| Weight/pcs     | 0.0 kg / Piece |

| Logistics data |               |
|----------------|---------------|
| Packaging      | Carton        |
| Content amount | 1 ST          |
| EAN            | 4024941163743 |
| Length         | 275 mm        |
| Width          | 175 mm        |
| Height         | 137 mm        |
| Weight         | 0.125 kg      |
| Volume         | 5,737.5 ccm   |



12 MB 84

| Ampere          | 16      | 32      |  |  |  |  |  |
|-----------------|---------|---------|--|--|--|--|--|
| Polzahl         | 7       | 7       |  |  |  |  |  |
| a               | 118,0   | 118,0   |  |  |  |  |  |
| b               | 225,0   | 225,0   |  |  |  |  |  |
| c               | 101,0   | 101,0   |  |  |  |  |  |
| d               | 208,0   | 208,0   |  |  |  |  |  |
| e               | 134,0   | 144,0   |  |  |  |  |  |
| f               | 242,0   | 251,0   |  |  |  |  |  |
| g $\varnothing$ | 6,5     | 6,5     |  |  |  |  |  |
| h               | 8,0     | 8,0     |  |  |  |  |  |
| i               | 2 x M25 | 2 x M25 |  |  |  |  |  |
| k               | 2 x M25 | 2 x M25 |  |  |  |  |  |
|                 |         |         |  |  |  |  |  |
|                 |         |         |  |  |  |  |  |