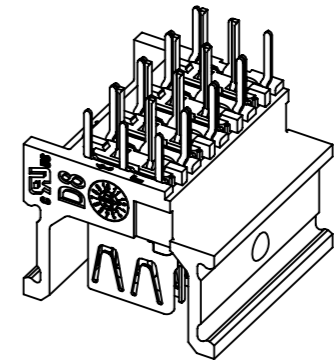
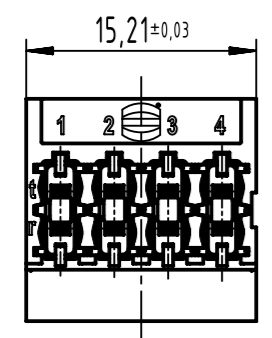
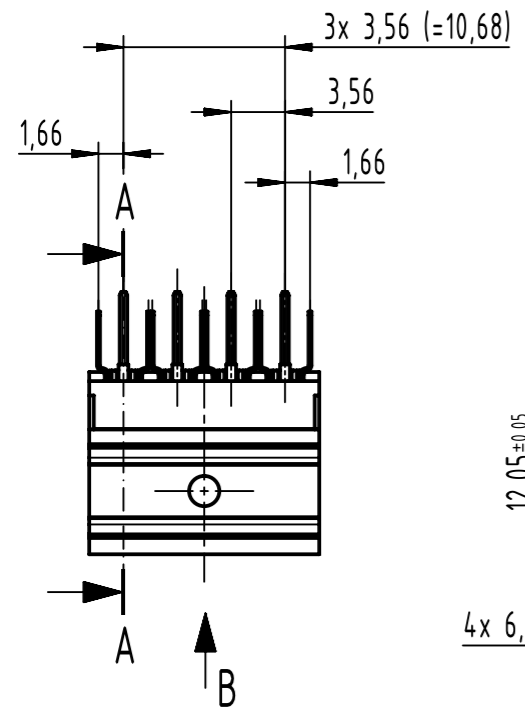
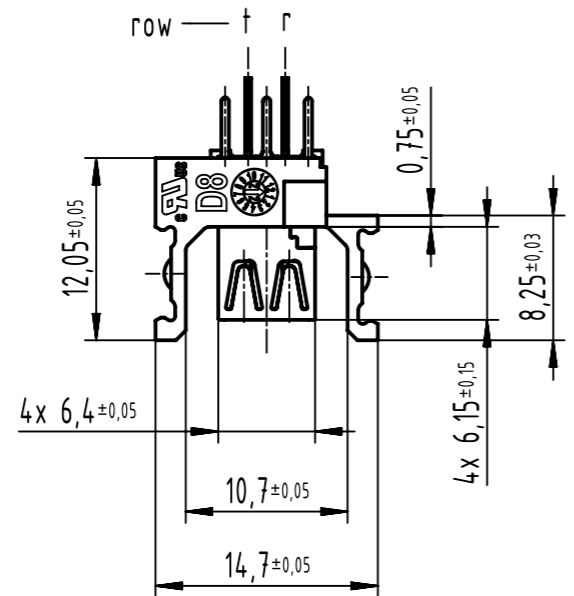
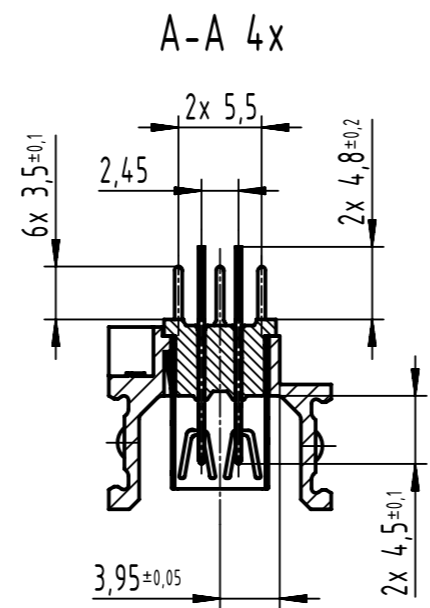
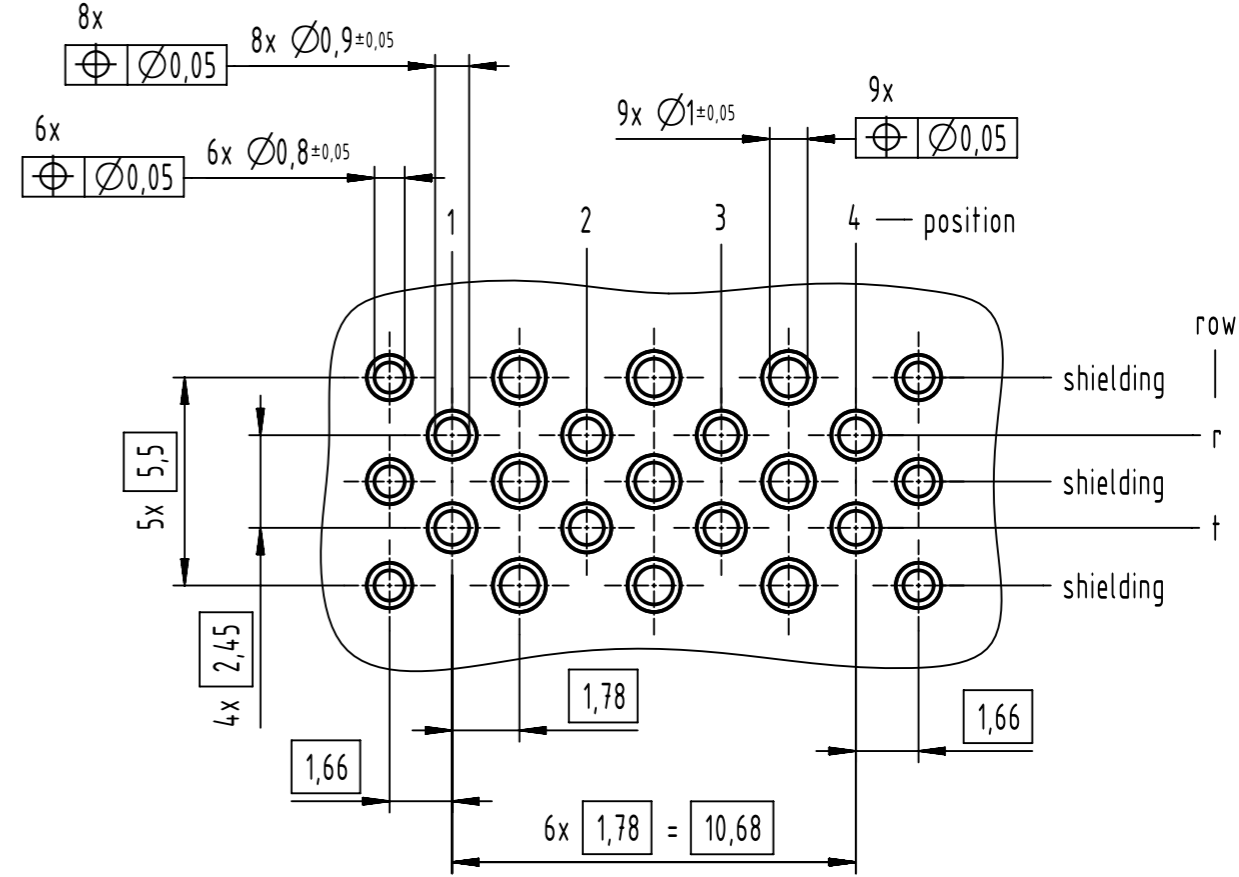


B (5:1)
board drillings



	All rights reserved	Created by HASELOH	Inspected by LUECKEMEIERM	Standardisation	Date 2023-03-07	State Final Release
	Department EL PD	Title har-modular D8 data module male straight 4,5mm			Doc-Key / ECM-Nr. 100946416/UGD/002/B 500000239099	
HARTING D-32339 Espelkamp	Type TB	Number 02539081502		Rev. B	Page 1/1	