

Wall mounting socket outlet switched interlocked fused - chemically resistant - housing dimensions 365x134 with C-type circuit breaker

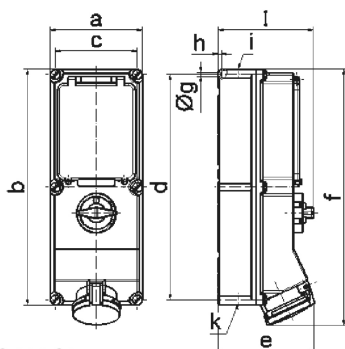


Product description	
BALS-Prd.-Nr	17629
EAN	4024941176293
Product category	TE wall mounting socket outlet switched, interlocked, fused
Current	16A
Number of poles	5p
Arrangement of phases	3p+N+PE
Position of earth contact	6 h

Product description	
Voltage	200/346 - 240/415V~
Frequency	50/60Hz
Protection degree	IP44
Colour code	red RAL 3000
Colour of appliance	Housing top lightbeige, Hinged lid red RAL 3000, Housing bottom lightbeige, Operating window lightbeige, Control knob lightbeige, Housing screws lightbeige
Connection design	screwless spring terminals with KONTEX-contact
Maximum conductor size	4,0 qmm
Cable entry	top entry M32/M25 bottom entry M32/M25
Height	384mm
Width	134mm
Depth	153mm
Dimension of enclosure	365x134 mm (HxW)
Material of enclosure	Polycarbonate+Polyester light - beige
Contacts	the contact carrier is made of high temperature resistant material, the contacts are brass nickel plated

Additional technical properties	
	cable entry two at top and two at bottom (open)
	In 0-position lockable for 3 padlocks with bow diameter up to 7 mm
	With 3 pole C-type MCB

Logistics data	
Weight/pcs	2.072 kg / Piece
Packaging	Carton
Content amount	1 ST
EAN	4024941176293
Length	387 mm
Width	222 mm
Height	150 mm
Weight	2.265 kg
Volume	11,029.5 ccm



12 MB 21

Ampere	16	16	32	32	63	63
Polzahl	4	5	4	5	4	5
a	134,0	134,0	134,0	134,0	180,0	180,0
b	365,0	365,0	365,0	365,0	460,0	460,0
c	117,0	117,0	117,0	117,0	160,0	160,0
d	348,0	348,0	348,0	348,0	440,0	440,0
e	135,0	141,0	146,0	152,0	184,0	184,0
f	382,0	382,0	391,0	391,0	500,0	500,0
g Ø	6,5	6,5	6,5	6,5	8,3	8,3
h	8,0	8,0	8,0	8,0	6,5	6,5
i	M25/32	M25/32	M32/40	M32/40	M40	M40
k	M25/32	M25/32	M32/40	M32/40	M32/40	M32/40
l	156,0	156,0	156,0	156,0	189,0	189,0