

Connector - with screwless terminals for harsh applications



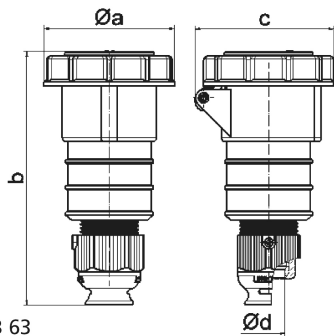
Product description	
BALS-Prd.-Nr	31245
EAN	4024941312455
Product category	QUICK-CONNECT TE connector
Current	32A
Number of poles	4p
Arrangement of phases	3P+PE
Position of earth contact	6 h
Voltage	380 - 415V~

Product description	
Frequency	50/60Hz
Protection degree	IP67
Colour code	red RAL 3000
Colour of appliance	Hinged lid red RAL 3000, Enclosure red RAL 3000, Bayonet ring grey RAL 7035, Cable gland grey RAL 7035
Connection design	screwless spring terminals with KONTEX-contact
Maximum conductor size	6,0 qmm
Cable entry	with cable gland
Height	198mm
Width	94mm
Depth	97mm
Material of enclosure	Polyamide
Contacts	the contact carrier is made of high temperature resistant material, the contacts are brass nickel plated

Additional technical properties	
	For cable diameter from 11 up to max. 23,5 mm, MULTI-GRIP cable gland with gasket, integrated cable clamp and additional water evacuation openings

Logistics data	
Weight/pcs	0.35 kg / Piece
Packaging	Bag

Logistics data	
Content amount	1 ST
EAN	4024941312455
Length	97 mm
Width	94 mm
Height	198 mm
Weight	0.351 kg
Volume	1,190.135 ccm
Packaging	Carton
Content amount	10 ST
EAN	4024941958349
Length	325 mm
Width	217 mm
Height	210 mm
Weight	3.706 kg
Volume	13,588.4 ccm



Ampere	16	16	16	32	32	32
Polzahl	3	4	5	3	4	5
a ø	70,5	78,0	86,5	94,0	94,0	101,5
b	161,0	161,0	168,0	196,0	196,0	200,0
c	77,0	83,0	93,0	99,0	99,0	107,0
d ø	18,0	18,0	21,0	23,0	23,0	27,0
Leiter mm ² min	1	1	1	2,5	2,5	2,5
Leiter mm ² max	2,5	2,5	2,5	6	6	6

3 MB 63