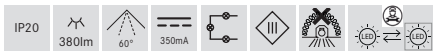
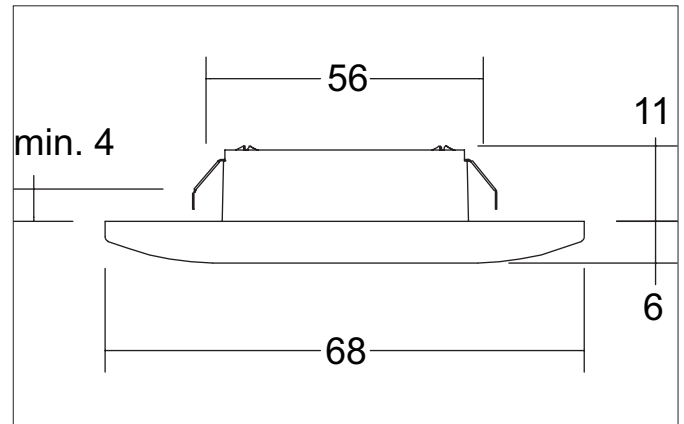


**BARENT LED recessed downlight**

Article no. 12104173


**Tender**

LED recessed downlight, Round. Toolless ceiling installation by leaf spring. Ceiling cut-out Ø 56 mm, Installation depth 11 mm, Outer diameter 68 mm, Weight 0,085 kg, with rotationssymmetrical, deep, wide distributed light intensity. Cover plastic, transparent. Luminous flux 380 lm, Power 1 x 4 W, Light colour warm white, Correlated color temprature (CCT) 3.000 K, Colour rendering index CRI > 90, Housing material: Aluminium / Plastic, Colour: White structure, Permissible ambient temperature (ta): -20 °C - +25 °C, Protection class (EN 61140): III, Degree of protection (DIN EN 60529): IP20. For connection to an external driver, which is not included in the scope of delivery of the luminaire. Depending on driver dimmable.

Article data	
Article no.	12 104 173
GTIN	4255752519744
Series name	BARENT
Short description	LED recessed downlight
Material	Aluminium / Plastic
Colour	White
Type of surface	Structure
Shape	Round
Outer diameter	68 mm
Built-in diameter min.	56 mm
Built-in diameter	56 mm
Installation depth	11 mm
Hight	6 mm
Scope of delivery	inkl. Anschlußleitung 3.000 mm
Weight	0.085 kg
Conformance	CE, UKCA

**BARENT LED recessed downlight**

Article no. 12104173

Packing data	
Gross weight	0.131 kg
Length of packaging	95 mm
Packaging width	90 mm
Packaging height	75 mm
Disposal at end of life	<p>This product must not be disposed of with household waste. You are obliged, to dispose of such electrical waste separately.</p> <p>By disposing of electrical waste and other old or defective electronics separately, you support recycling or other forms of re-use. In that way you help to take care and to avoid that harmful substances get into the environment.</p>